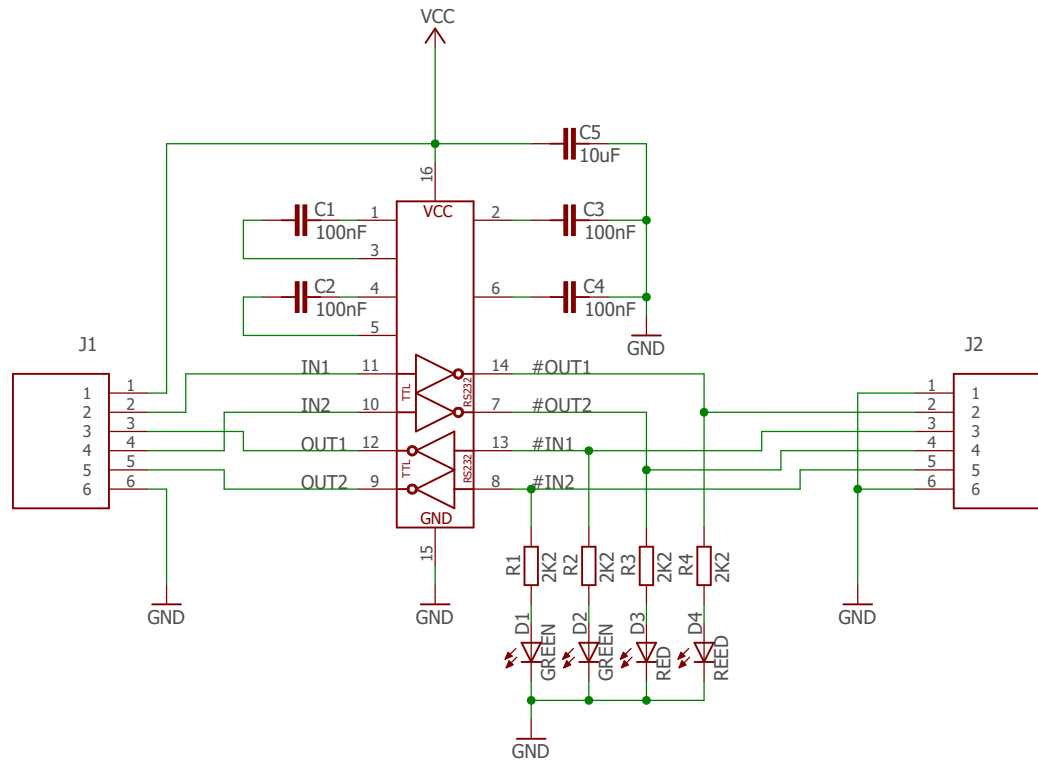


AK-3232L - Four Channels TTL to RS232 Converter With LEDs

SCHEMATIC DIAGRAM REV 1.0

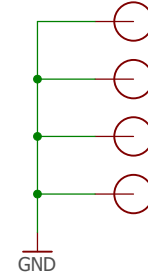
For more information: www.artekit.eu



Fiducial Mark



Mounting holes



Released under the Creative Commons Attribution Share-Alike 3.0 License
<http://creativecommons.org/licenses/by-sa/3.0>

This board was designed and produced in Italy



Design by	Ruben H. Meleca	ARTEKIT
Revision by	Ivan Meleca	AK-3232L_V1.0
Design data	05/03/2020	Revision: 1.0
Release data	05/15/2020	Sheet: 1/1