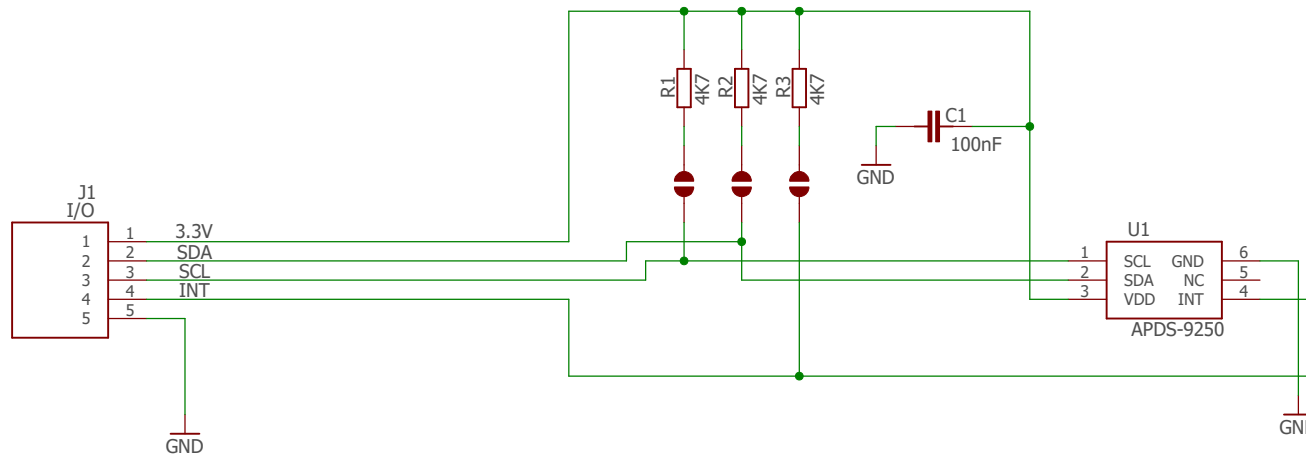


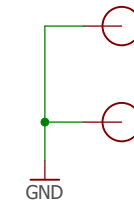
AK-APDS-9250 RGB + IR + ALS Light Sensor Breakout Board

SCHEMATIC DIAGRAM REV 1.0

For more information: www.artekit.eu



Mounting holes



Fiducial Mark



Released under the Creative Commons Attribution Share-Alike 3.0 License
<http://creativecommons.org/licenses/by-sa/3.0>



Design by	Ruben H. Meleca	ARTEKIT
Revision by	Ivan Meleca	AK-APDS-9250-RGB
Design data	05/03/2020	Revision: 1.0
Release data	05/15/2020	Sheet: 1/1

This board was designed and produced in Italy