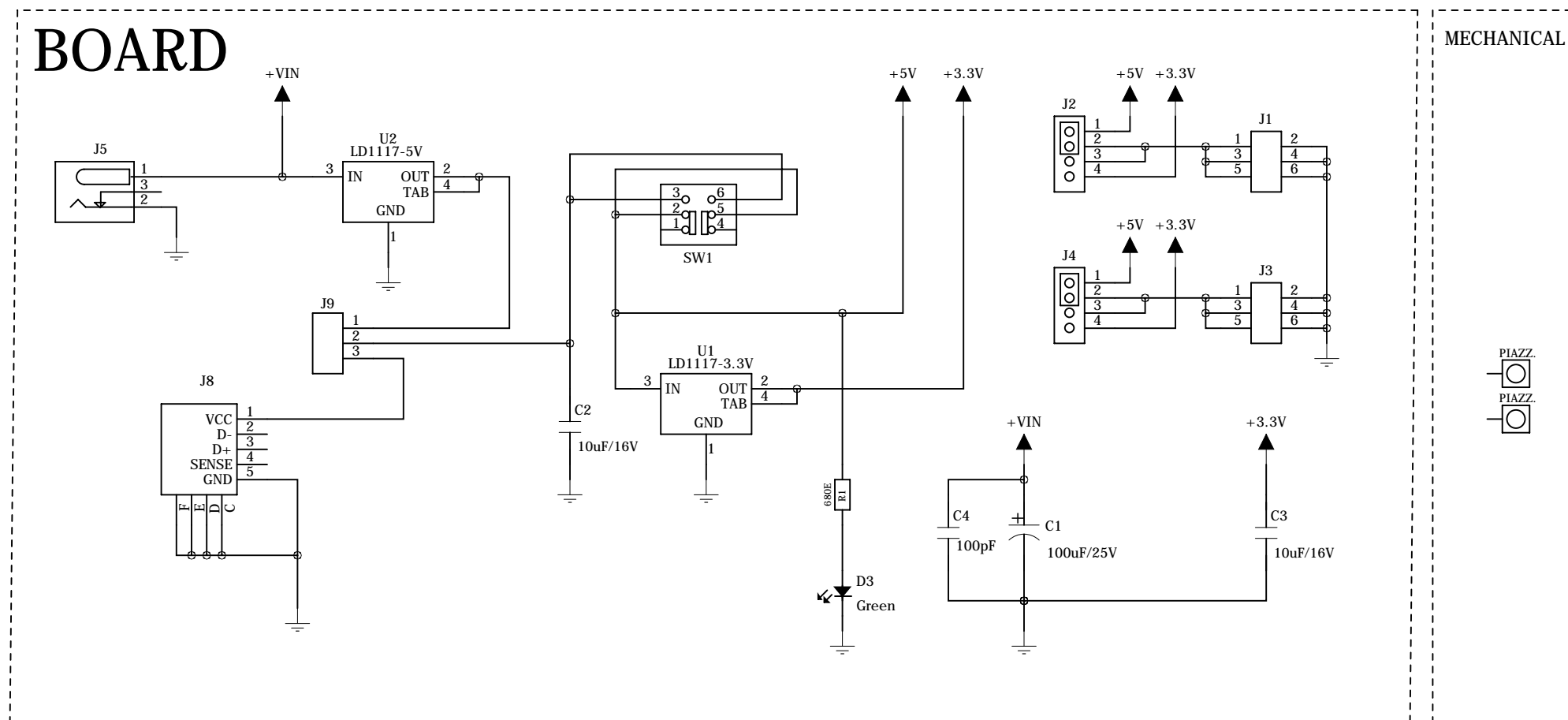


AK-BB-POWER - Two Rails 3.3V/5V 800mA Power Supply for Breadboard from USB or External 7 to 12V DC Power

SCHEMATIC DIAGRAM REVISION 1.1



For more information: www.artekit.eu

NOTE: This board was designed and produced in Italy

Design Disclaimer

Artekit Italy ("ARTEKIT") provides this design as a service to our customers. Artekit has made a good faith attempt to build for the specifications provided or needed by the customer. Artekit provides this product "as is" and without "recourse" and MAKES NO WARRANTY, EXPRESSED, IMPLIED OR OTHERWISE, INCLUDING ANY WARRANTY OF MERCHANTABILITY AND FITNESS FOR A PARTICULAR PURPOSE.



COMPANY: ARTEKIT ITALY
TITLE: AK-BB-POWER

DRAWN: RHM DATED: 25/12/2014
CHECKED: IBM
RELEASED: RHM/IBM DATED: 25/12/2014

SIZE: B	Two Rails 3.3V/5V 800mA Breadboard Power Supply from USB or External 7 to 12V DC Power	REV: 1.1
SCALE: 1/1		SHEET: 1 OF 1