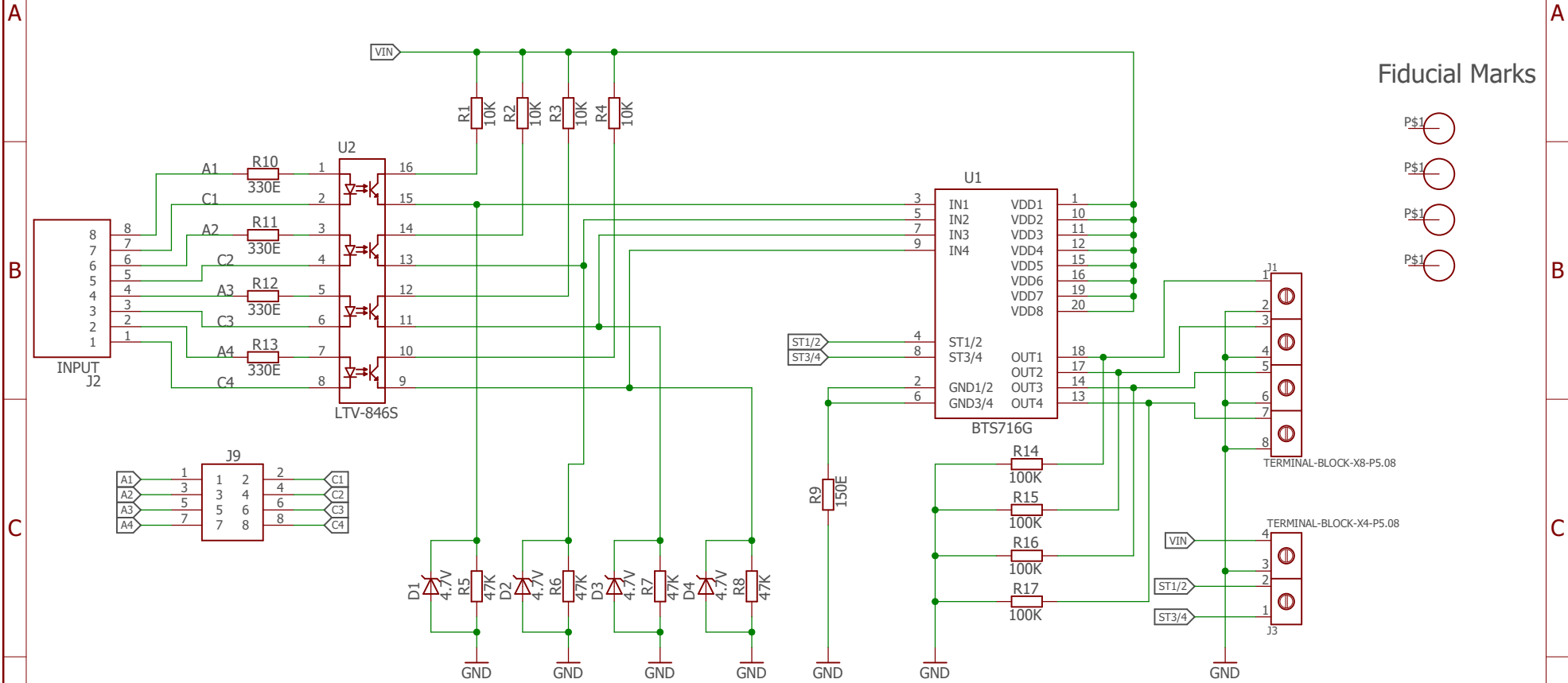


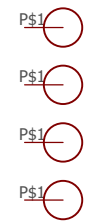
Four Channels Opto Isolated Input Solid State Relay 8V to 40V 1A per Channel

SCHMATIC DIAGRAM REV 1.0

For more information: www.artekit.eu



Fiducial Marks



Released under the Creative Commons Attribution Share-Alike 3.0 License
<http://creativecommons.org/licenses/by-sa/3.0>



Design by	Ruben H. Meleca	ARTEKIT
Revision by	Ivan Meleca	AK-BTS716G_V1.1
Design data	11/20/2020	Revision: 1.0
Release data	11/15/2020	Sheet: 1/1

This board was designed and produced in Italy