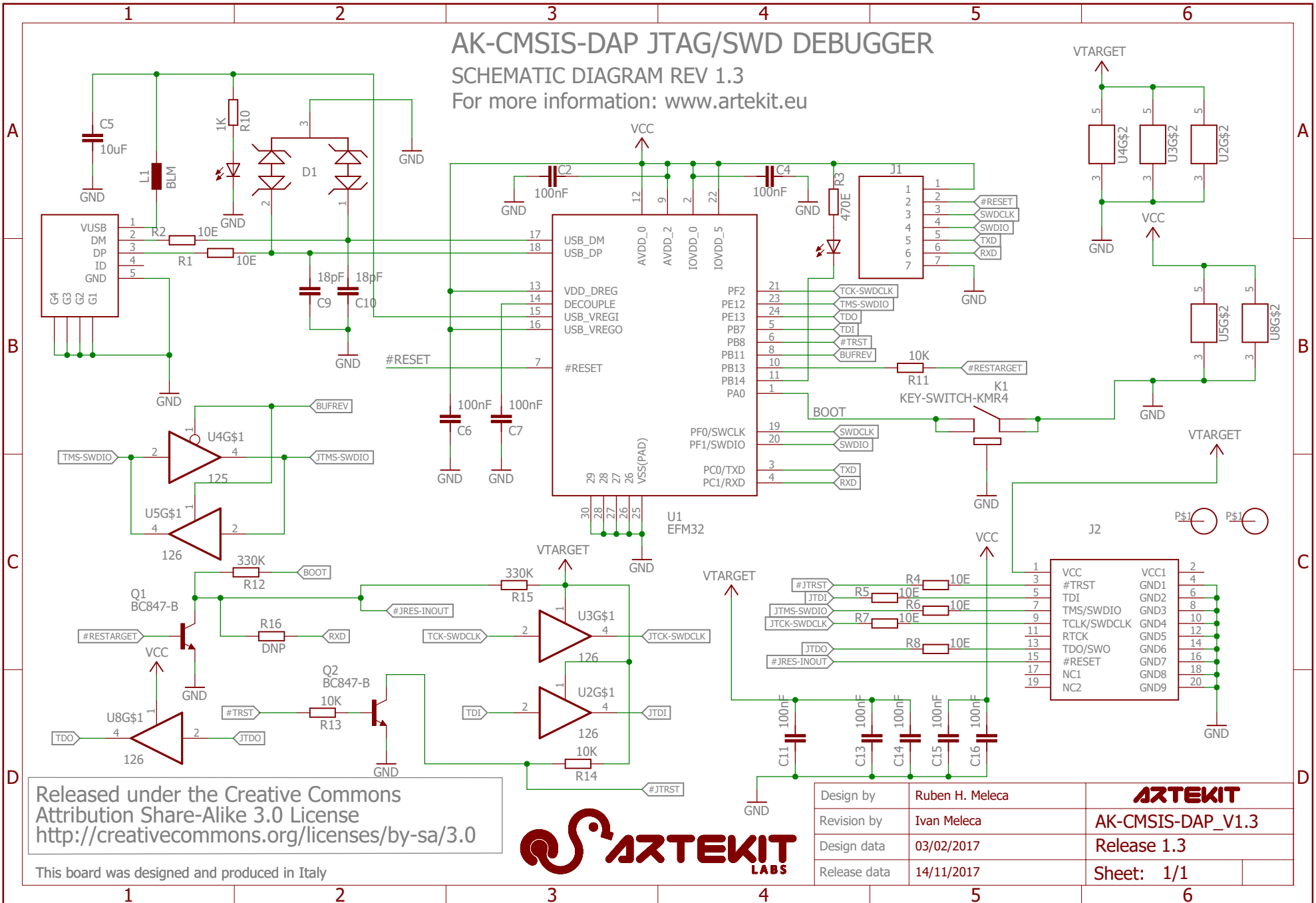


# AK-CMSIS-DAP JTAG/SWD DEBUGGER

SCHEMATIC DIAGRAM REV 1.3

For more information: [www.artekit.eu](http://www.artekit.eu)



Released under the Creative Commons Attribution Share-Alike 3.0 License  
<http://creativecommons.org/licenses/by-sa/3.0>

This board was designed and produced in Italy



Design by	Ruben H. Meleca	<b>ARTEKIT</b>
Revision by	Ivan Meleca	AK-CMSIS-DAP_V1.3
Design data	03/02/2017	Release 1.3
Release data	14/11/2017	Sheet: 1/1