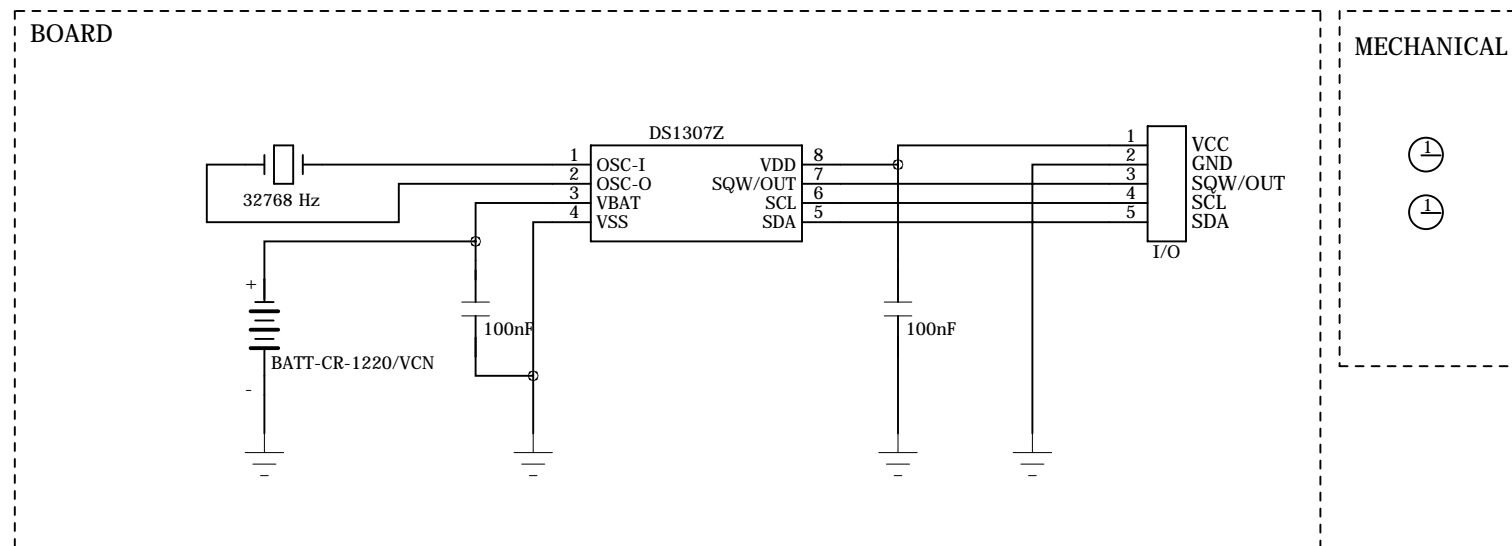


AK-DS1307 - Real Time Clock Breakout Board

SCHEMATIC DIAGRAM REVISION 1.0



For more information: www.artekit.eu

NOTE: This board was designed and produced in Italy

Design Disclaimer

Artekit Italy ("ARTEKIT") provides this design as a service to our customers. Artekit has made a good faith attempt to build for the specifications provided or needed by the customer. Artekit provides this product "as is" and without "recourse" and MAKES NO WARRANTY, EXPRESSED, IMPLIED OR OTHERWISE, INCLUDING ANY WARRANTY OF MERCHANTABILITY AND FITNESS FOR A PARTICULAR PURPOSE.

		COMPANY: ARTEKIT ITALY	
		TITLE: AK-DS1307	
DRAWN: RHM	DATED: 23/06/2013	SIZE: B	REV:
CHECKED: IBM			
RELEASED: RHM	DATED: 23/06/2013		
SCALE: 1:1		SHEET: 1 OF 1	