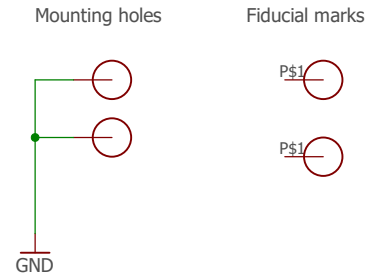
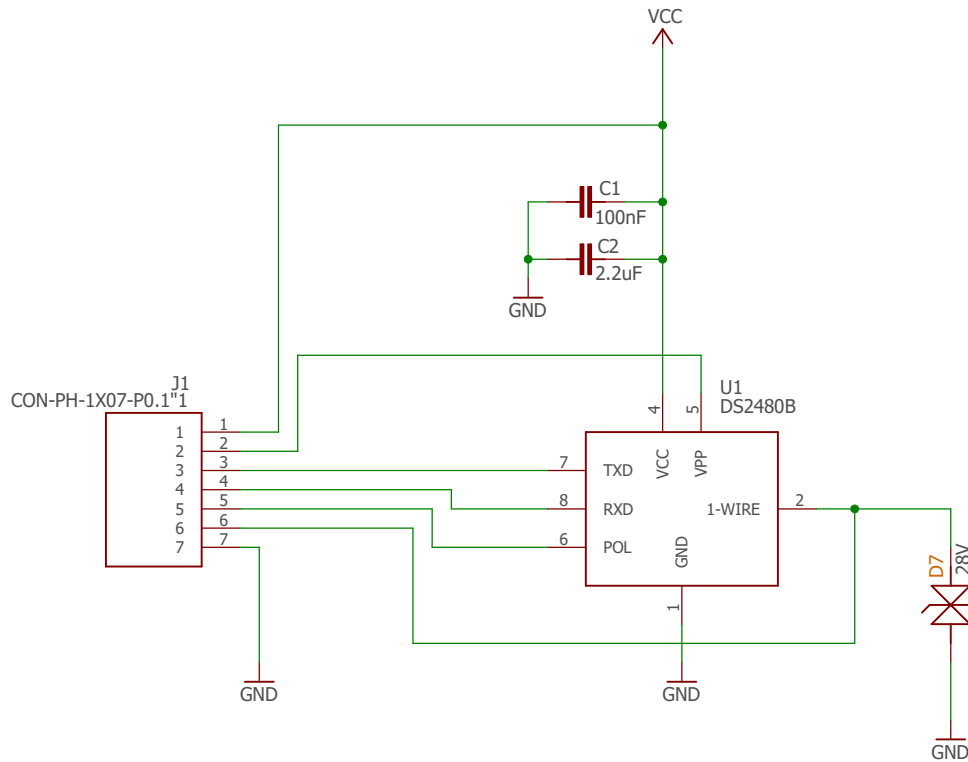


AK-DS2480B-UART - UART to 1-Wire Bridge

SCHEMATIC DIAGRAM REV 1.0

For more information: www.artekit.eu



Released under the Creative Commons Attribution Share-Alike 3.0 License
<http://creativecommons.org/licenses/by-sa/3.0>

This board was designed and produced in Italy



Design by	Ruben H. Meleca	ARTEKIT
Revision by	Ivan Meleca	AK-DS2480B-UART_V1.0
Design data	11/15/2020	Revision: 1.0
Release data	27/11/2020	Sheet: 1/1