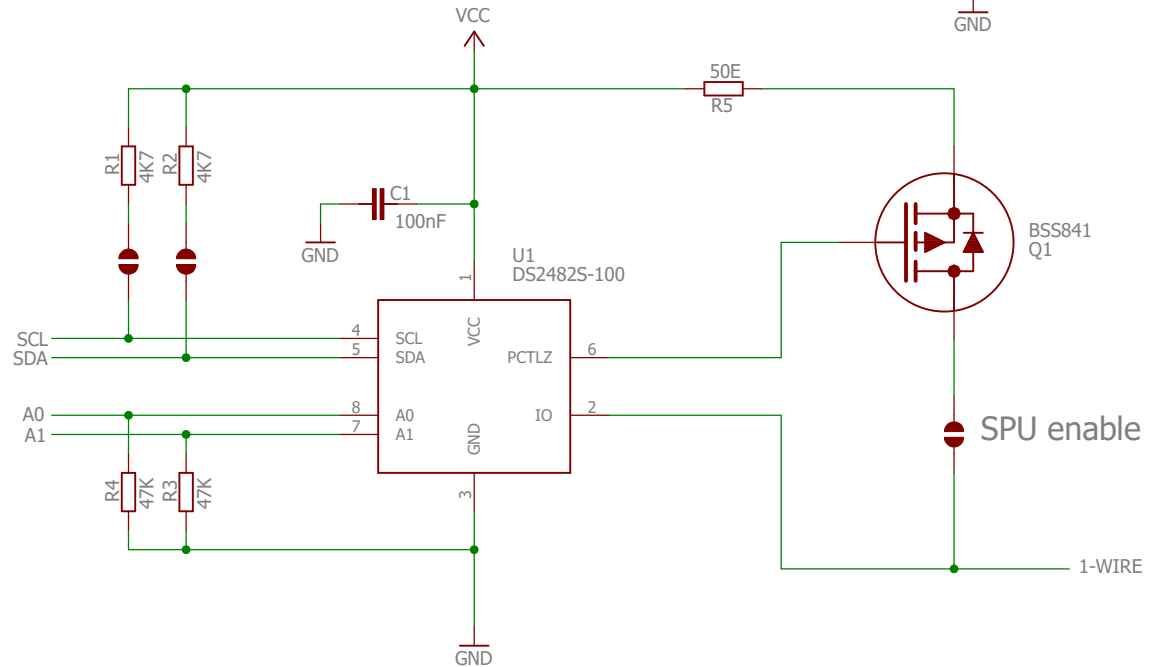
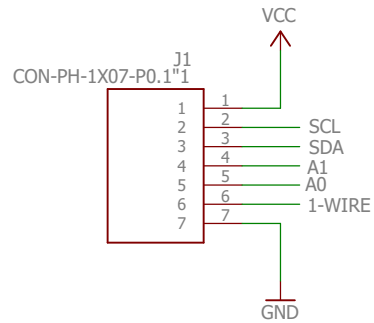
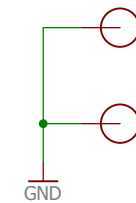


# AK-DS2482S-100 - I2C to 1-Wire Bridge

SCHEMATIC DIAGRAM REV 1.0

For more information: [www.artekit.eu](http://www.artekit.eu)

Mounting holes



Released under the Creative Commons Attribution Share-Alike 3.0 License  
<http://creativecommons.org/licenses/by-sa/3.0>



Design by	Ruben H. Meleca	<b>ARTEKIT</b>
Revision by	Ivan Meleca	AK-DS2482S-100_V1.0
Design data	11/16/2016	Revision: 1.0
Release data	12/15/2016	Sheet: 1/1

This board was designed and produced in Italy