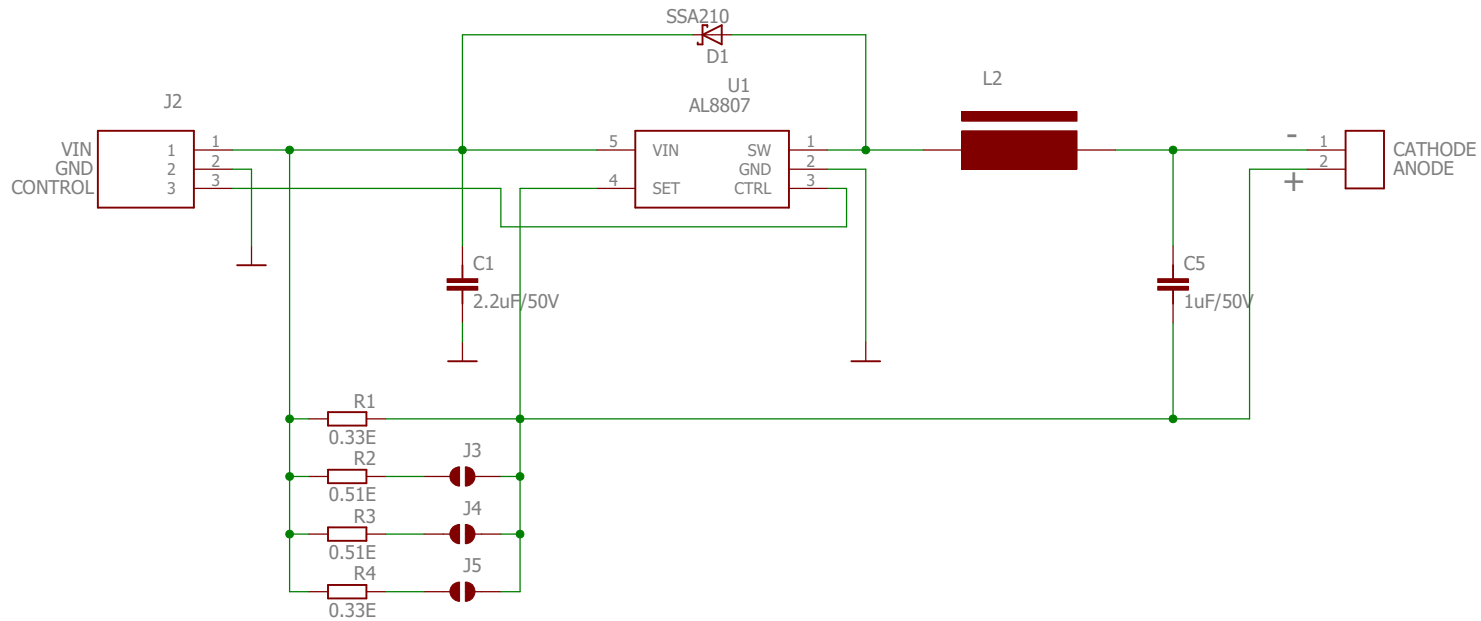
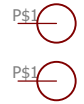


# AK-LED-DRIVER - 1A Buck LED Driver Breakout

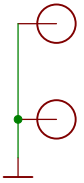
SCHEMATIC DIAGRAM REV 1.0  
 For more information: [www.artekit.eu](http://www.artekit.eu)



Fidutial mark



Mounting holes



Released under the Creative Commons Attribution Share-Alike 3.0 License  
<http://creativecommons.org/licenses/by-sa/3.0>

This board was designed and produced in Italy



Design by	Ruben H. Meleca	<b>ARTEKIT</b>
Revision by	Ivan Meleca	AK-LED-DRIVER_V1.0
Design data	11/11/2016	Revision: 1.0
Release data	12/14/2016	Sheet: 1/1