

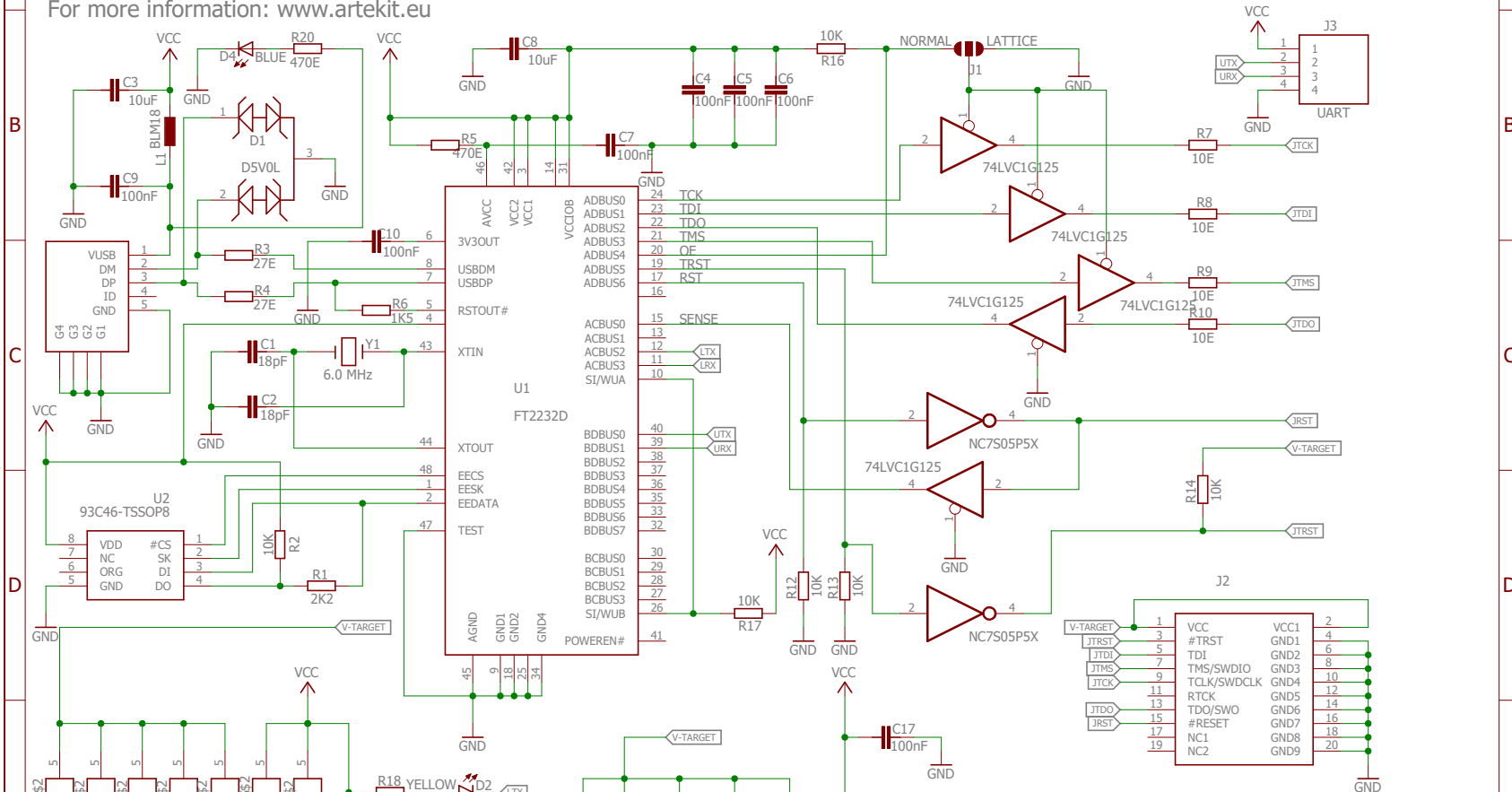


AK-LINK-2 FT2232D based JTAG Flasher/Debugger with Lattice FPGA flashing capabilities

SCHMATIC DIAGRAM REV 1.1
For more information: www.artekit.eu

Released under the Creative Commons
Attribution Share-Alike 3.0 License
<http://creativecommons.org/licenses/by-sa/3.0>

This board was designed and produced in Italy



Design by	Ruben H. Meleca	ARTEKIT
Revision by	Ivan Meleca	AK-LINK-2_V1.1
Design data	02/02/2018	Release 1.1
Release data	08/05/2018	Sheet: 1/1