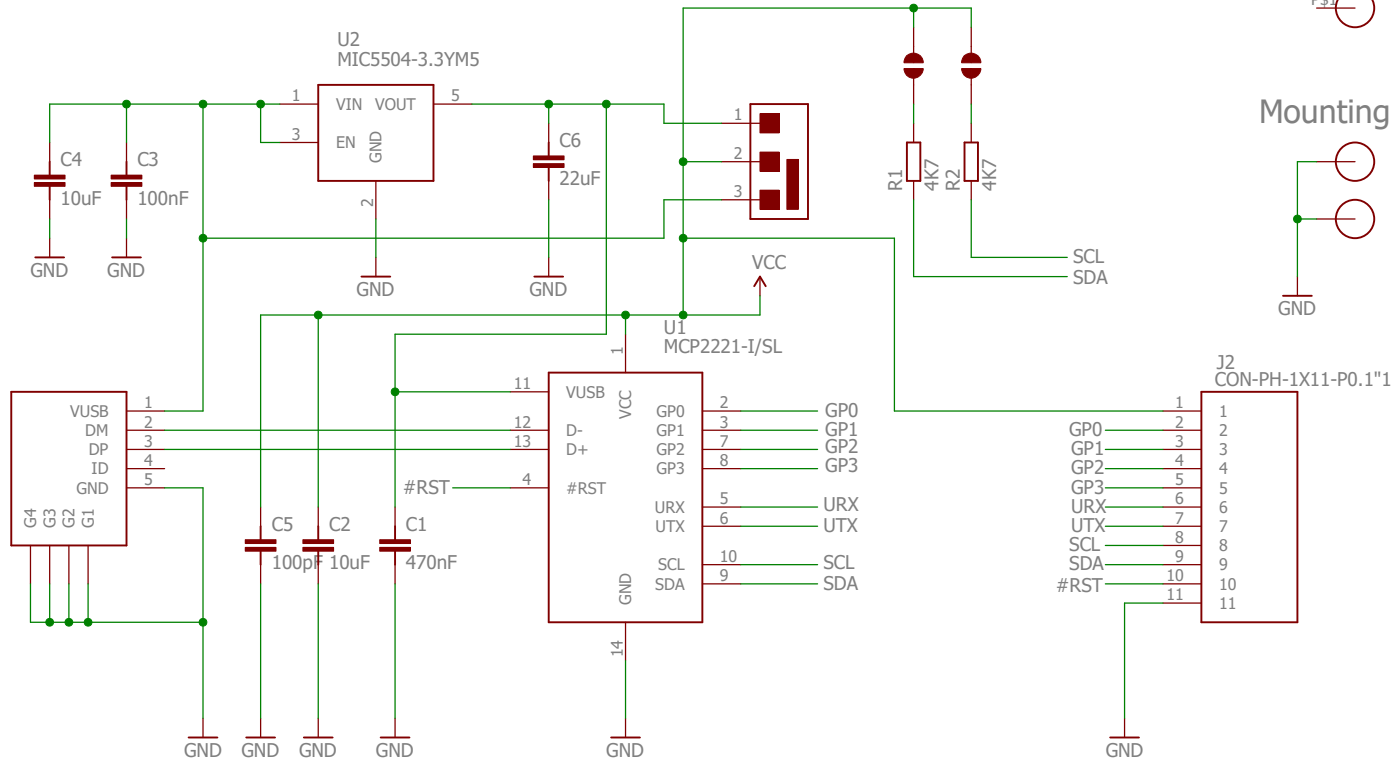


AK-MCP2221 - USB to I2C/UART Bridge

SCHEMATIC DIAGRAM REV 1.0

For more information: www.artekit.eu



Released under the Creative Commons Attribution Share-Alike 3.0 License
<http://creativecommons.org/licenses/by-sa/3.0>

This board was designed and produced in Italy



Design by	Ruben H. Meleca	ARTEKIT
Revision by	Ivan Meleca	AK-MCP2221_V1.0
Design data	09/20/2016	Revision: 1.0
Release data	11/15/2016	Sheet: 1/1