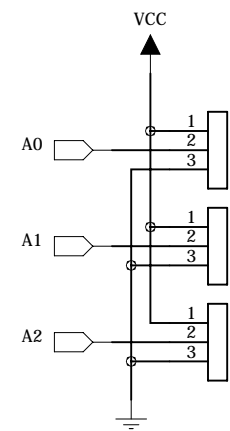
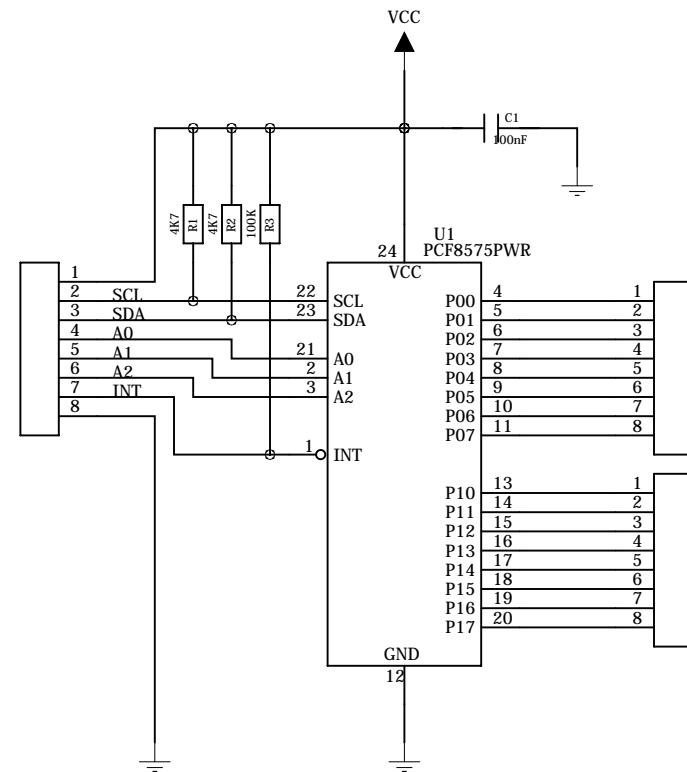


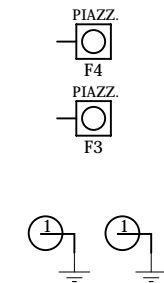
AK-PCF8575 - I2C 16 I/O Digital Expander With NV Memory

SCHEMATIC DIAGRAM REVISION 1.0

BOARD



MECHANICAL




For more information: www.artekit.eu

NOTE: This board was designed and produced in Italy

Design Disclaimer

Artekit Italy ("ARTEKIT") provides this design as a service to our customers. Artekit has made a good faith attempt to build for the specifications provided or needed by the customer. Artekit provides this product "as is" and without "recourse" and MAKES NO WARRANTY, EXPRESSED, IMPLIED OR OTHERWISE, INCLUDING ANY WARRANTY OF MERCHANTABILITY AND FITNESS FOR A PARTICULAR PURPOSE.

		COMPANY: ARTEKIT ITALY TITLE: AK-PCF8575	
DRAWN: RHM CHECKED: IBM RELEASED: RHM/IBM	DATED: 15/03/2014 DATED: 15/03/2014	SIZE: B SCALE: 1/1	I2C 16 I/O Digital Expander With NV Memory REV:
		SHEET: 1 OF 1	