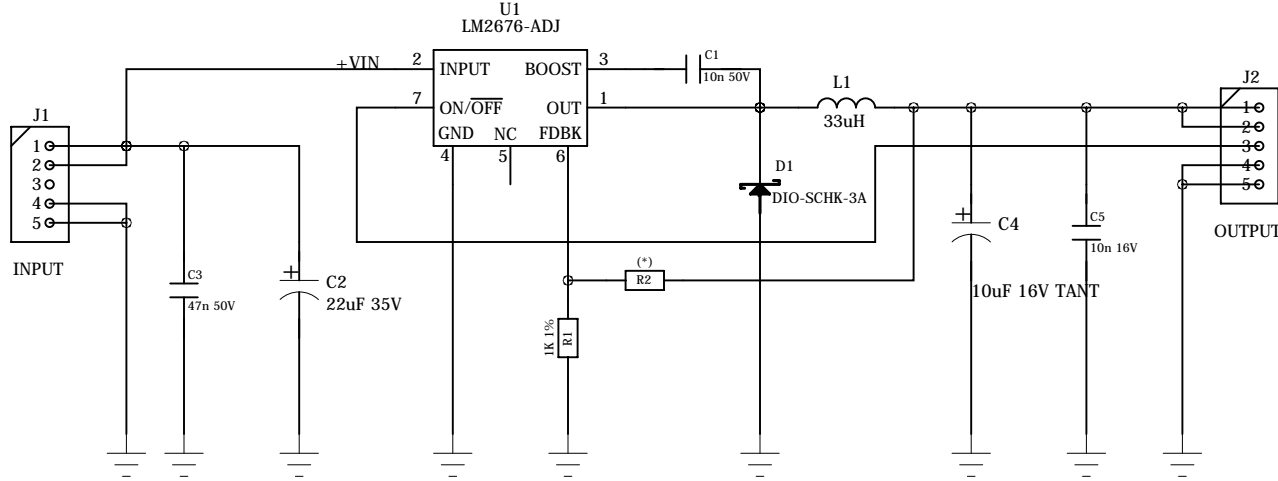



Design Disclaimer

Artekit Italy ("ARTEKIT") provides this design as a service to our customers. Artekit has made a good faith attempt to build for the specifications provided or needed by the customer. Artekit provides this product "as is" and without "recourse" and MAKES NO WARRANTY, EXPRESSED, IMPLIED OR OTHERWISE, INCLUDING ANY WARRANTY OF MERCHANTABILITY AND FITNESS FOR A PARTICULAR PURPOSE.



(*) R2 Values:

MODEL	VALUE
AK-POWER-1.8	499E 1%
AK-POWER-2.5	1.07K 1%
AK-POWER-3.3	1.74K 1%
AK-POWER-5	3.16K 1%
AK-POWER-6.3	4.22K 1%
AK-POWER-9	6.49K 1%
AK-POWER-12	9.09K 1%

	Date: 30/12/2011	Product Name AK-POWER		
	Sheet name: MAIN			
This design is property of ARTEKIT Italy and NOT constitute a reference design	Product code: AK-POWER	Circuit:	Sheet: 1 of 1	Scale: 1/1
	Designer: RHM	Rel. Date: Dec-26-2011	Control:	