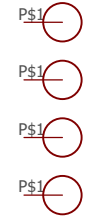
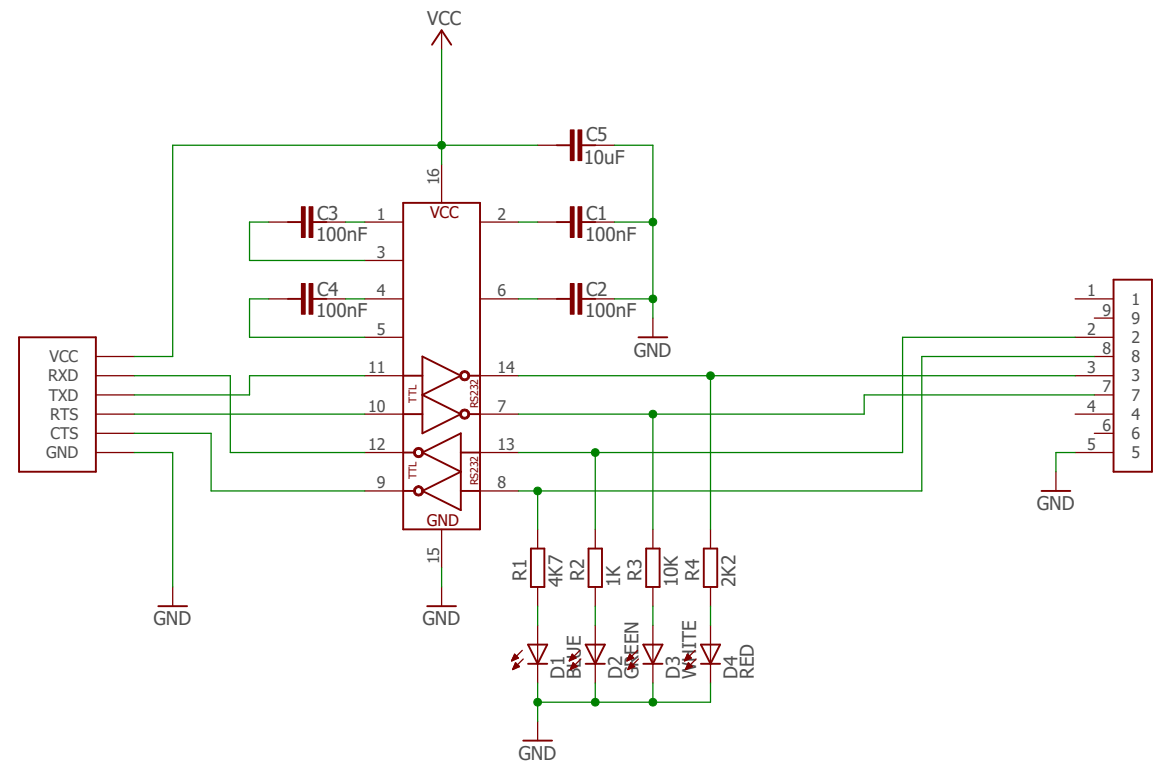


AK-RS232-LED MALE - TTL/CMOS to RS232 Converter

SCHEMATIC DIAGRAM REV 1.0

For more information: www.artekit.eu



Released under the Creative Commons Attribution Share-Alike 3.0 License
<http://creativecommons.org/licenses/by-sa/3.0>



Design by	Ruben H. Meleca	ARTEKIT
Revision by	Ivan Meleca	AK-RS232-ML_V1.0
Design data	11/15/2019	Revision: 1.0
Release data	11/15/2019	Sheet: 1/1

This board was designed and produced in Italy