

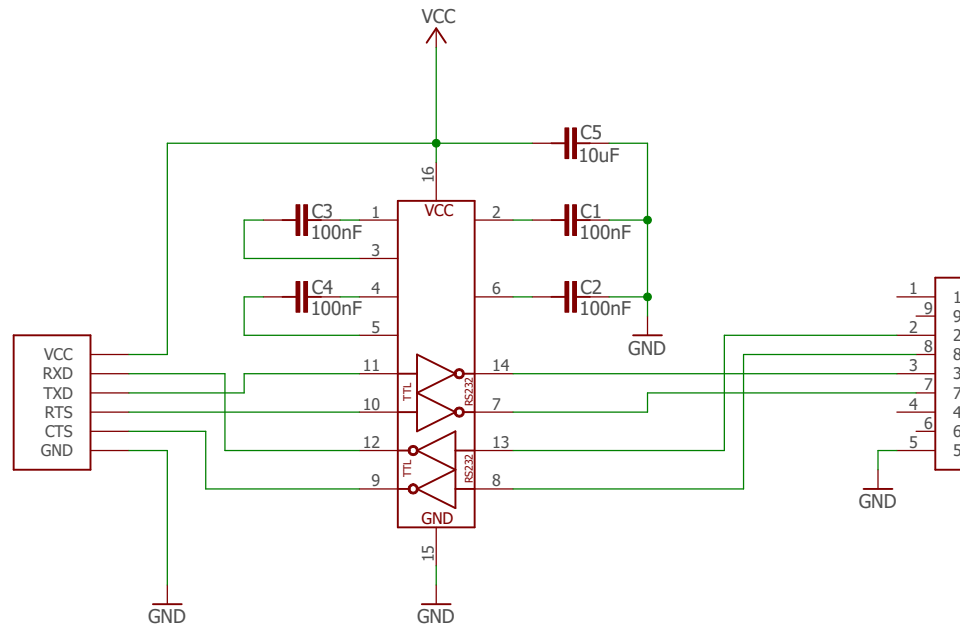
# AK-RS232 MALE - TTL/CMOS to RS232 Converter

## SCHEMATIC DIAGRAM REV 2.0

For more information: [www.artekit.eu](http://www.artekit.eu)

P\$1

P\$1



Released under the Creative Commons Attribution Share-Alike 3.0 License  
<http://creativecommons.org/licenses/by-sa/3.0>

This board was designed and produced in Italy



Design by	Ruben H. Meleca	<b>ARTEKIT</b>
Revision by	Ivan Meleca	AK-RS232-M_V2.0
Design data	11/01/2018	Revision: 2.0
Release data	11/24/2018	Sheet: 1/1