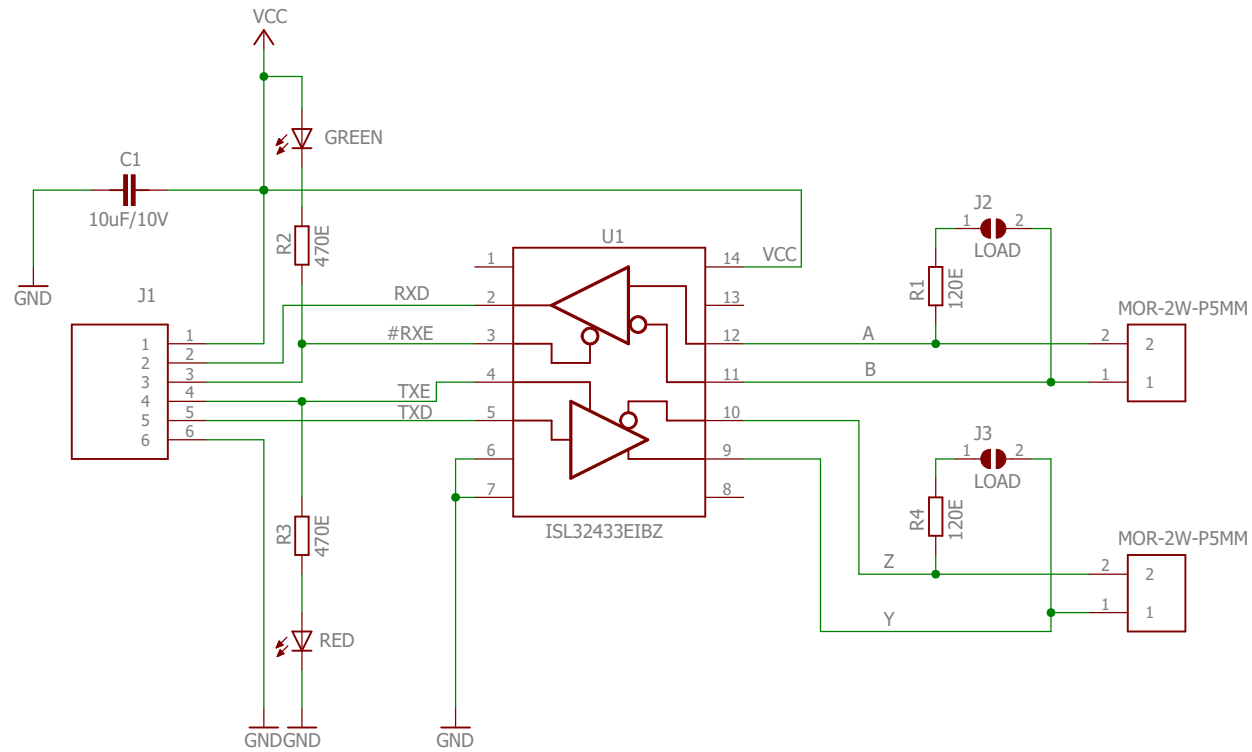


AK-RS485/422-FD - Full-duplex RS485/422 driver

SCHEMATIC DIAGRAM REV 1.0

For more information: www.artekit.eu



Released under the Creative Commons Attribution Share-Alike 3.0 License
<http://creativecommons.org/licenses/by-sa/3.0>

This board was designed and produced in Italy



Design by	Ruben H. Meleca	AZTEKIT
Revision by	Ivan Meleca	AK-RS485-422-FD
Design data	04/08/2016	Revision 1.0
Release data	04/12/2016	Sheet: 1/1