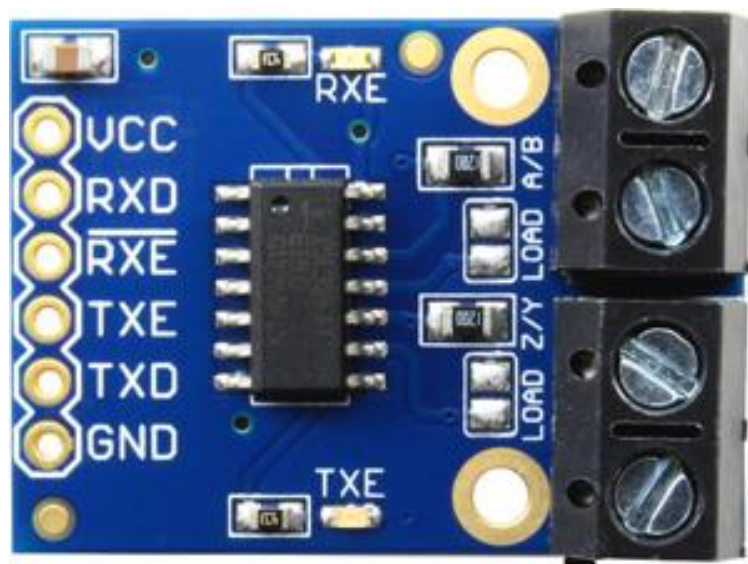


ARTEKIT LABS

AK-RS485/422-FD

Reference manual





Contents

About this document	3
Revision history	3
Contact information.....	3
Life support policy.....	3
Copyright information.....	3
Specifications	3
General description.....	3
Environmental requirements.....	4
Handling the board	4
Board overview.....	4
Pin description.....	4
Board dimensions in millimeters (inches).....	5
Electrical characteristics	5
Test conditions	5
Minimum and maximum values	5
Typical values.....	5
Absolute maximum ratings	5
Normal operating parameters.....	6
Board usage	6
MCU connection modes	6
Load resistors.....	7
Indication LEDs	7
Connecting two boards in a RS-485/422-FD full-duplex line.....	8
Connecting the AK-RS485/422-FD board to create a Half Duplex link.....	8
Testing the board	8
Connecting the AK-RS485/422-FD to the Arduino Uno board	9



About this document

Revision history

The table below displays the revision history for the chapters in this manual.

Chapter	Date	Revision	Changes made
All	March, 2016	1.0	First publication

Contact information

For the latest news, upgrades and information about Artekit products, visit the Artekit web site at <http://www.artekit.eu>

For technical support on this product, visit the support page at <http://www.artekit.eu/contact>

For additional information about Artekit products, consult the sources below.

Information type	Resource
Technical support	support@artekit.eu
Literature	www.artekit.eu
Sales	sales@artekit.eu
Products forum	www.artekit.eu

Life support policy

Artekit Italy products are not indented or authorized for use as critical components in life support devices or systems without the express written approval from Artekit Italy. Those devices may include devices for supporting or sustaining life, devices for surgical implant into the body or any other device whose failure to perform correctly could result in life support failure.

Copyright information

This document is copyright © 2016 Artekit Italy. All rights reserved. Any person may view, copy, print and distribute this document or any portion of this document for informational purposes only as long as the copyright notice remains included.

Specifications

General description

The AK-RS485/422-FD is a RS485/RS422 physical driver to enable a single UART to send/receive data over an EIA 485/422 network in full-duplex mode. The board can be powered from 2.8V to 5.5V. It is a low power device consuming only 10µA in shutdown mode, and allows up to 128 units on the bus.

The Artekit AK-RS485/422 board features an Intersil ISL32433EIBZ device, supporting up to 1Mb transmission speed.



Environmental requirements

The AK-RS485/422-FD board must be stored between -65°C to +150°C. The recommended operating temperature is between -40°C and +85°C.

The AK-RS485/422-FD board can be damaged without proper anti-static handling.

Handling the board

When handling the board, it is important to observe the following precaution:

Static discharge precaution – Without proper anti-static handling the board can be damaged. Therefore, take anti-static precautions while handling the board.

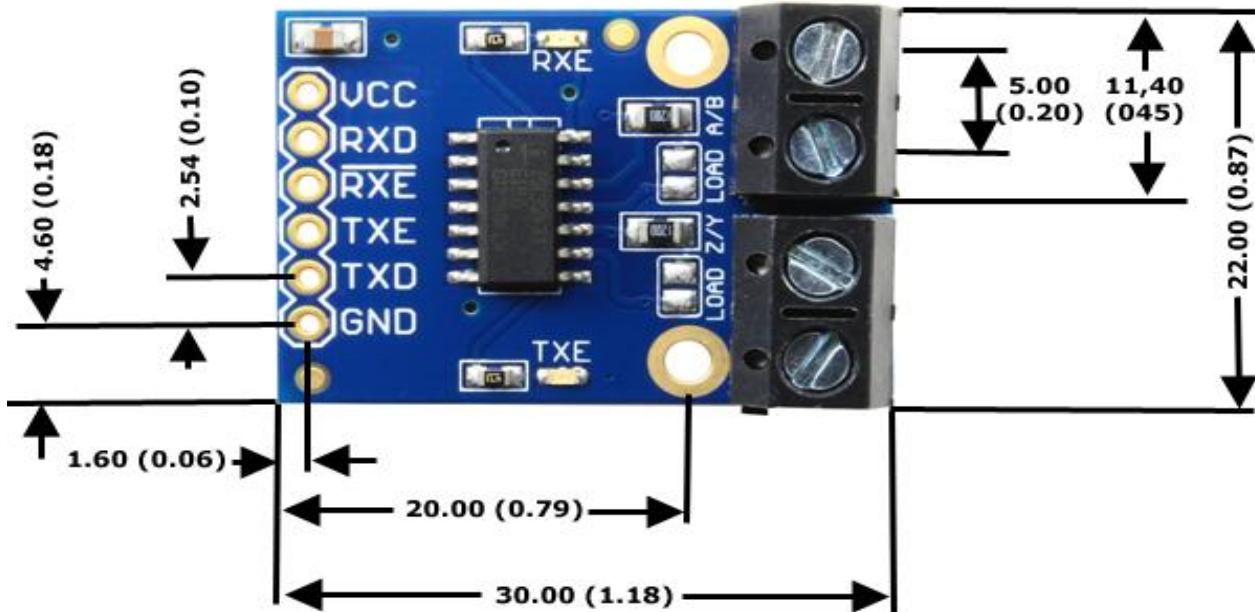
Board overview

Pin description

VCC	Power Supply (2.8V to 5.5V)
RXD	Output, connect to MCU RXD pin
RXE	Input, 0=Enable data reception, 1=Disable data reception
TXE	Input, 1=Enable data transmission, 0=Disable data transmission
TXD	Input, connect to MCU TXD pin
GND	Power supply ground
A	Input, negative signal A
B	Input, positive signal B
Z	Output, negative signal Z
Y	Output, positive signal Y



Board dimensions in millimeters (inches)



Please read the Intersil ISL32433EIBZ datasheet. You can load the datasheet from our website <http://www.artekit.eu> or from the Intersil website <https://www.intersil.com>

Electrical characteristics

Test conditions

Unless otherwise specified, all voltages are referenced to GND.

Minimum and maximum values

Unless otherwise specified, the minimum and the maximum values are guaranteed in the worst conditions of ambient temperature, supply voltage and frequencies by tests in production on 100% of the devices with an ambient temperature $T_A = 25^\circ\text{C}$.

Typical values

Unless otherwise specified, typical data are based on $T_A = 25^\circ\text{C}$, $V_{CC} = 5\text{V}$.

Absolute maximum ratings

SYMBOL	RATINGS	MIN	MAX	UNIT
VCC	External main supply voltage respect to GND	-0.3V	+7	V

WARNING Exceeding values beyond these absolute maximum values may cause permanent damage to the device. Operating at absolute maximum rating conditions for extended periods may affect the device reliability.

Normal operating parameters

SYMBOL	PARAMETER	VALUE	UNIT
VCC	Power supply applied to VCC pin	3V to 5.5V	V

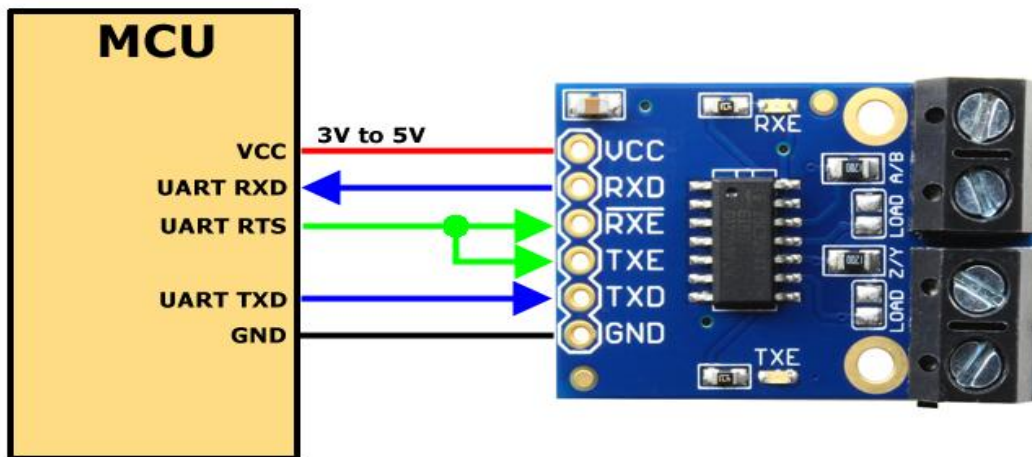
Board usage

MCU connection modes

NOTE: Because the AK-RS485/422 is a full duplex board, we recommend the “No flow control mode” (Mode 3) connection, because allows the TX and RX to be connected and used to send and receive at the same time

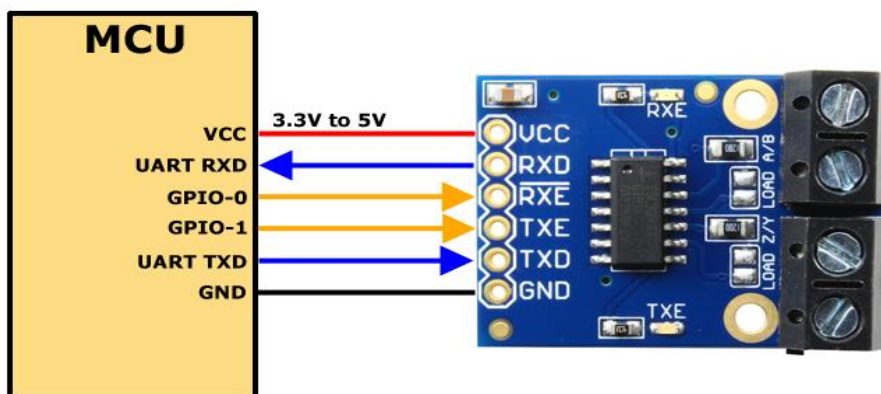
Mode 1: RTS manages the data flow

When the UART RTS is in passive mode (logical 1) the reception is disabled and the transmission is enabled. When the UART RTS is in active mode (logical 0) the reception is enabled and the transmission is disabled.

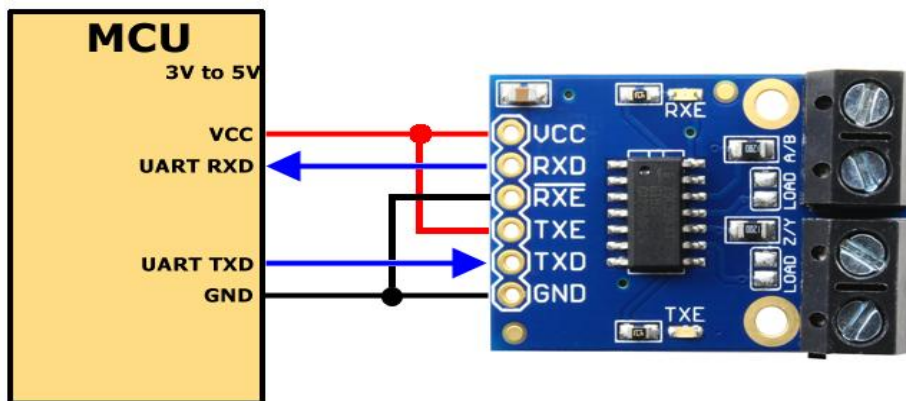


Mode 2: MCU with full flow control.

GPIO-0 control the RXD data flow and the GPIO-1 control the TXD data flow.

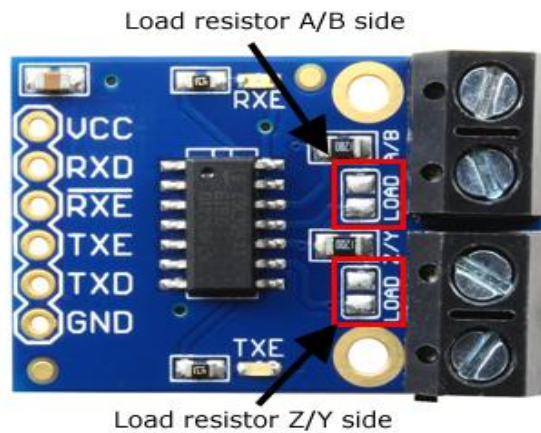


Mode 3: No flow control. TXD and RXD are always active.

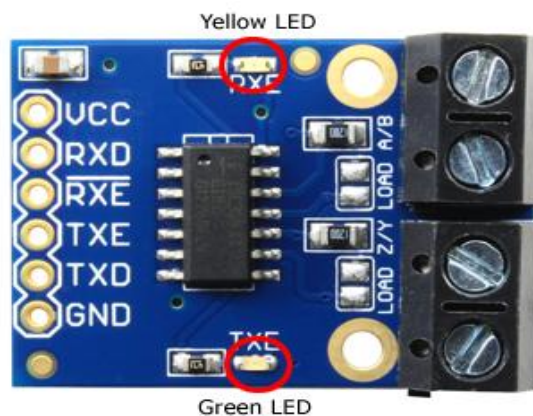


Load resistors

The AK-RS485/422 has two solder jumpers to enable a 120 Ohm load resistor in parallel on the each bus lines. Drop some solder to create a short circuit on the LOAD pads. This option must be implemented only on the first and the last boards in the network.

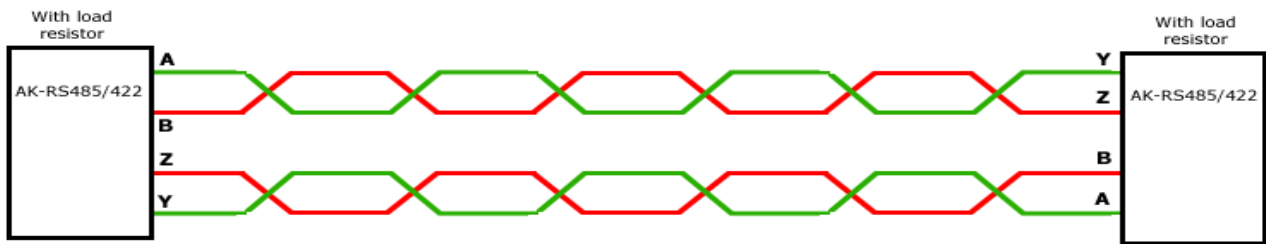


Indication LEDs



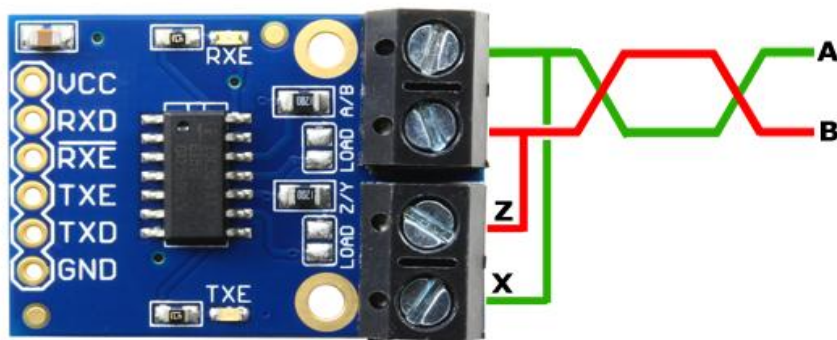
Yellow LED, when ON indicates that the reception is enabled. Green LED, when ON indicates that the transmission is enabled.

Connecting two boards in a RS-485/422-FD full-duplex line



Connecting the AK-RS485/422-FD board to create a Half Duplex link

The AK-RS485/422-FD board can be connected in the following way to obtain a half-duplex link:

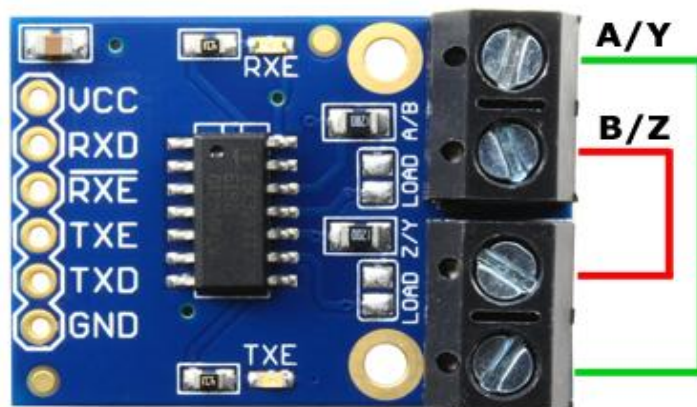


Testing the board

To test the board follow the next steps:

- 1) Disconnect the board from the RS485/422 .
- 2) Connect A to Y and B to Z as in the picture here below.
- 3) Connect the board to the MCU as in the Mode 3: **No flow control** example.
- 4) Send a character through MCU UART.
- 5) Check if the character sent is read back by the MCU UART.

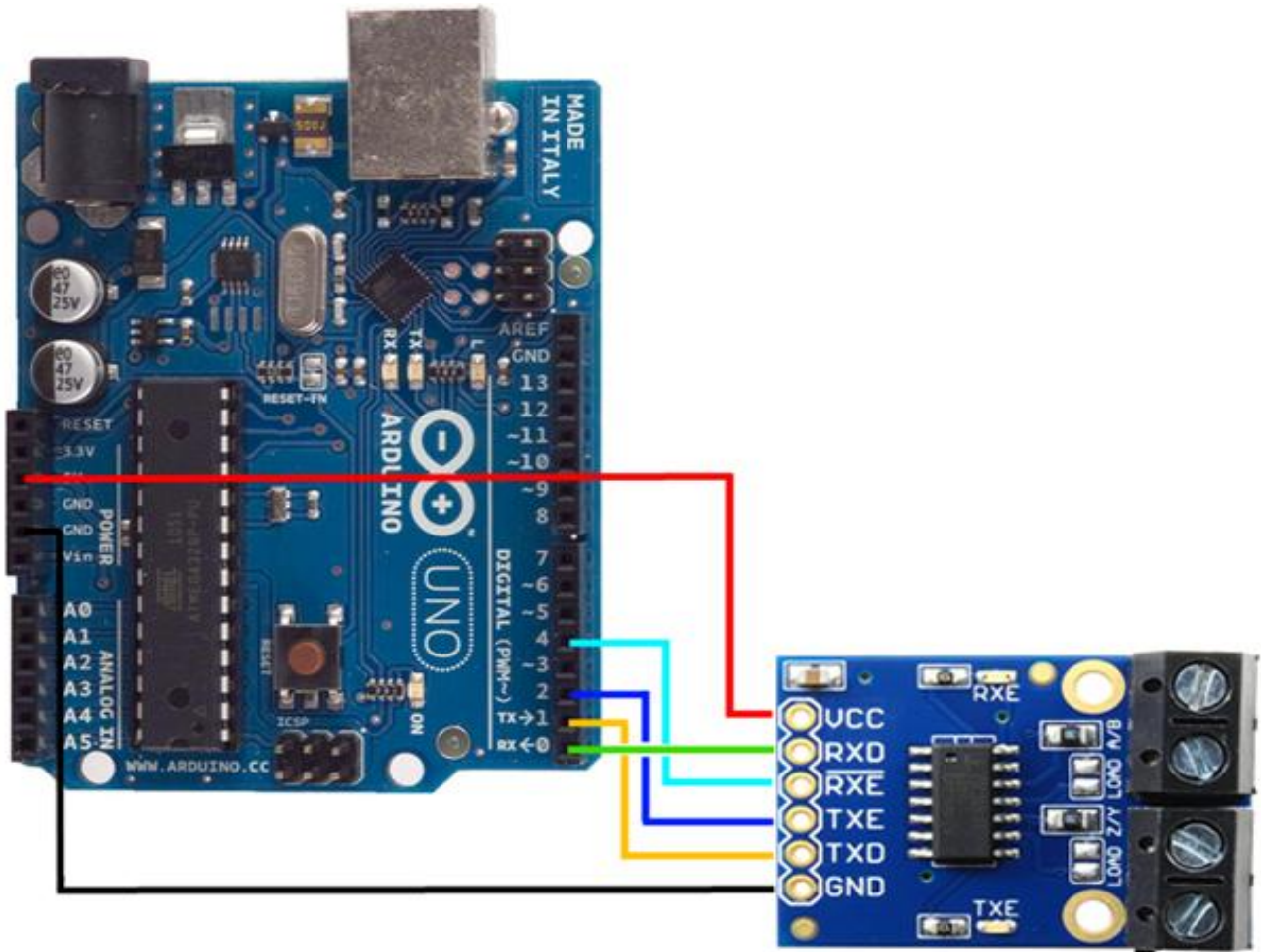
If the sent character is read back by the MCU, the board is working properly.





Connecting the AK-RS485/422-FD to the Arduino Uno board

The following example shows how to connect the AK-RS485/422-FD board to an Arduino UNO board.



AK-RS485/422-FD PIN NAME	Arduino Uno PIN NAME	DETAILS
VCC	5V	5V
GND	GND	Ground
TXD	TX->	UART TXD
RXD	RX<-	UART RXD
nRXE	4	RXD Flow Control
TXE	2	TXD Flow Control