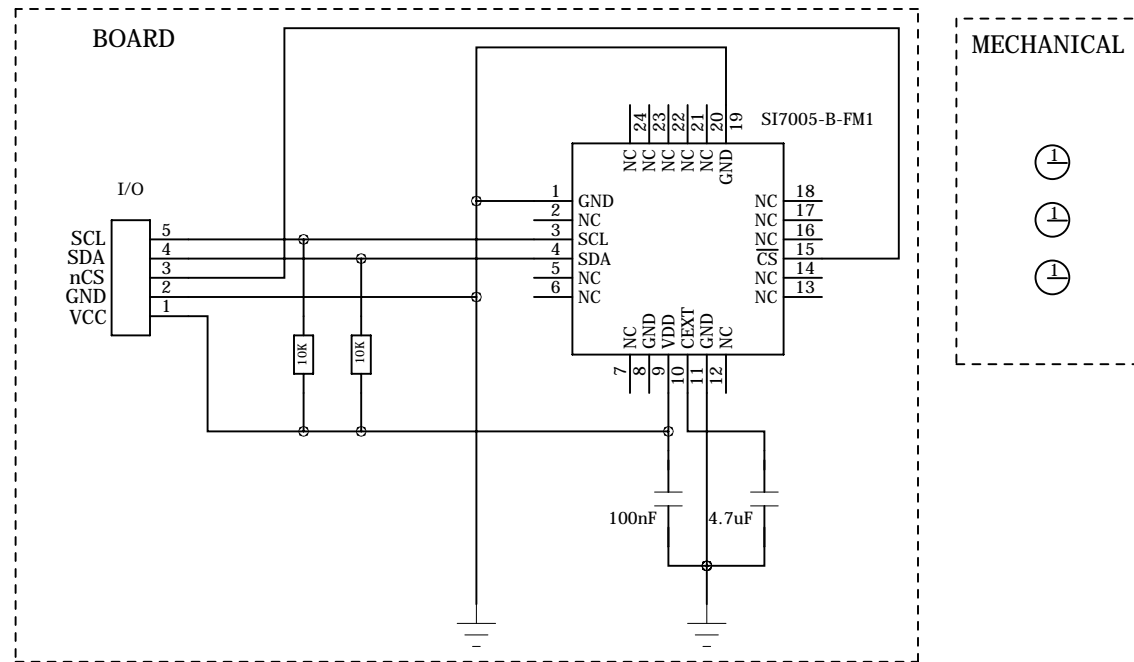


## AK-Si7005 - Humidity Sensor Breakout Board

### SCHEMATIC DIAGRAM REVISION 1.0




For more information: [www.artekit.eu](http://www.artekit.eu)

NOTE: This board was designed and produced in Italy

### Design Disclaimer

Artekit Italy ("ARTEKIT") provides this design as a service to our customers. Artekit has made a good faith attempt to build for the specifications provided or needed by the customer. Artekit provides this product "as is" and without "recourse" and MAKES NO WARRANTY, EXPRESSED, IMPLIED OR OTHERWISE, INCLUDING ANY WARRANTY OF MERCHANTABILITY AND FITNESS FOR A PARTICULAR PURPOSE.

		COMPANY: ARTEKIT ITALY TITLE: AK-Si7005	
DRAWN: RHM CHECKED: IBM RELEASED: RHM	DATED: 22/06/2013 DATED: 22/06/2013	SIZE: B	REV:
SCALE: 1:1		SHEET: 1 OF 1	