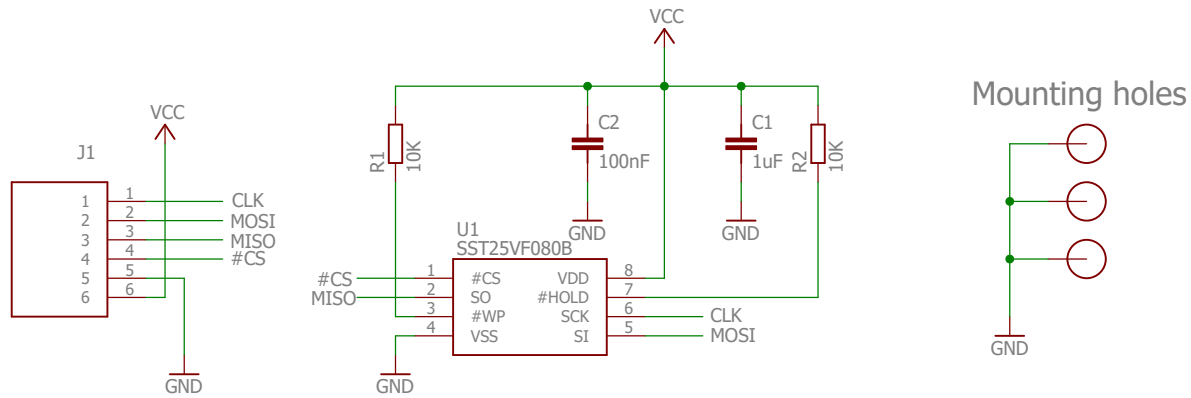


AK-SST25VF080B - 8Mb (1MB) SPI Dataflash

SCHEMATIC DIAGRAM REV 2.0

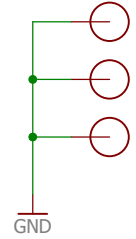
For more information: www.artekit.eu



Fidutial mark



Mounting holes



Released under the Creative Commons Attribution Share-Alike 3.0 License
<http://creativecommons.org/licenses/by-sa/3.0>



Design by	Ruben H. Meleca	AZTEKIT
Revision by	Ivan Meleca	AK-SST25VF080B_V2.0
Design data	09/20/2016	Revision: 2.0
Release data	11/15/2016	Sheet: 1/1

This board was designed and produced in Italy