

ARTEKIT ITALY

AK-STM32-LKIT Development Board

SCHEMATIC VERSION: 1.0

SHEET 1: COVER (This)

SHEET 2: MCU

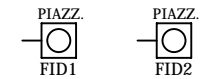
NOTE: This board was designed and produced in Italy

Design Disclaimer

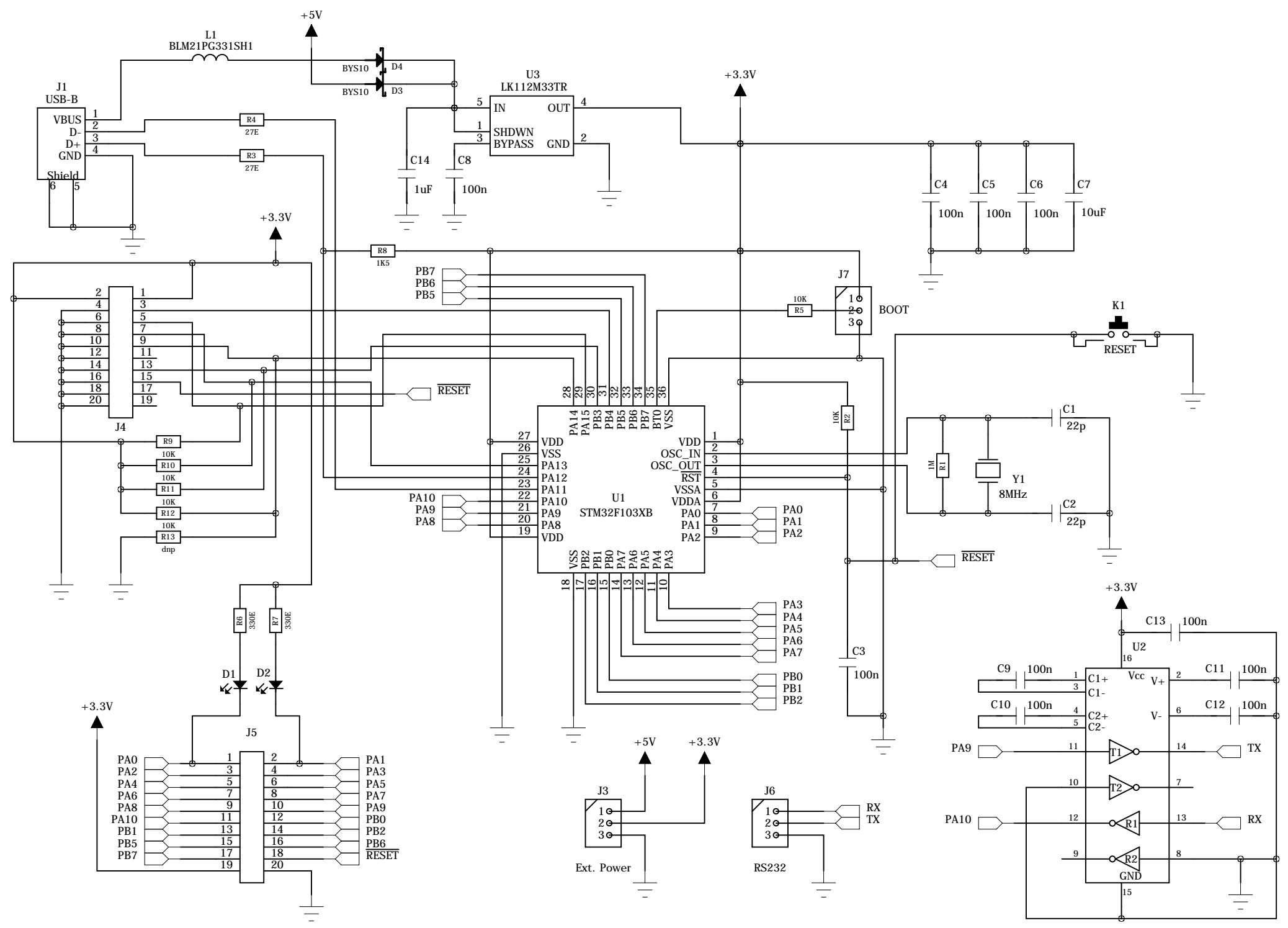
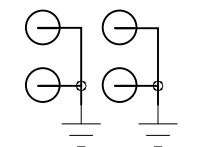
Artekit Italy ("ARTEKIT") provides this design as a service to our customers. Artekit has made a good faith attempt to build for the specifications provided or needed by the customer. Artekit provides this product "as is" and without "recourse" and MAKES NO WARRANTY, EXPRESSED, IMPLIED OR OTHERWISE, INCLUDING ANY WARRANTY OF MERCHANTABILITY AND FITNESS FOR A PARTICULAR PURPOSE.


	Data: 14/04/2012	Product Name AK-STM32-LKIT		
	Sheet name: COVER			
This design is property of ARTEKIT Italy and NOT constitute a reference design	Product code: AK-STM32-LKIT	Circuit:	Sheet: 1 of 2	Scale: 1/1
	Designer: RHM	Rel. Date: Apr-14-2012	Control:	

FIDUTIAL MARK



CORNER HOLES



	Date:	Product Name		
	14/04/2012	AK-STM32-LKIT		
Sheet name:		BOARD		
This design is property of ARTEKIT Italy and NOT constitute a reference design	Product code:	Circuit:	Sheet:	Scale: 1/1
	AK-STM32-LKIT		2 of 2	
	Designer:	Rel. Date:	Control:	
RHM	Apr-14-2012			