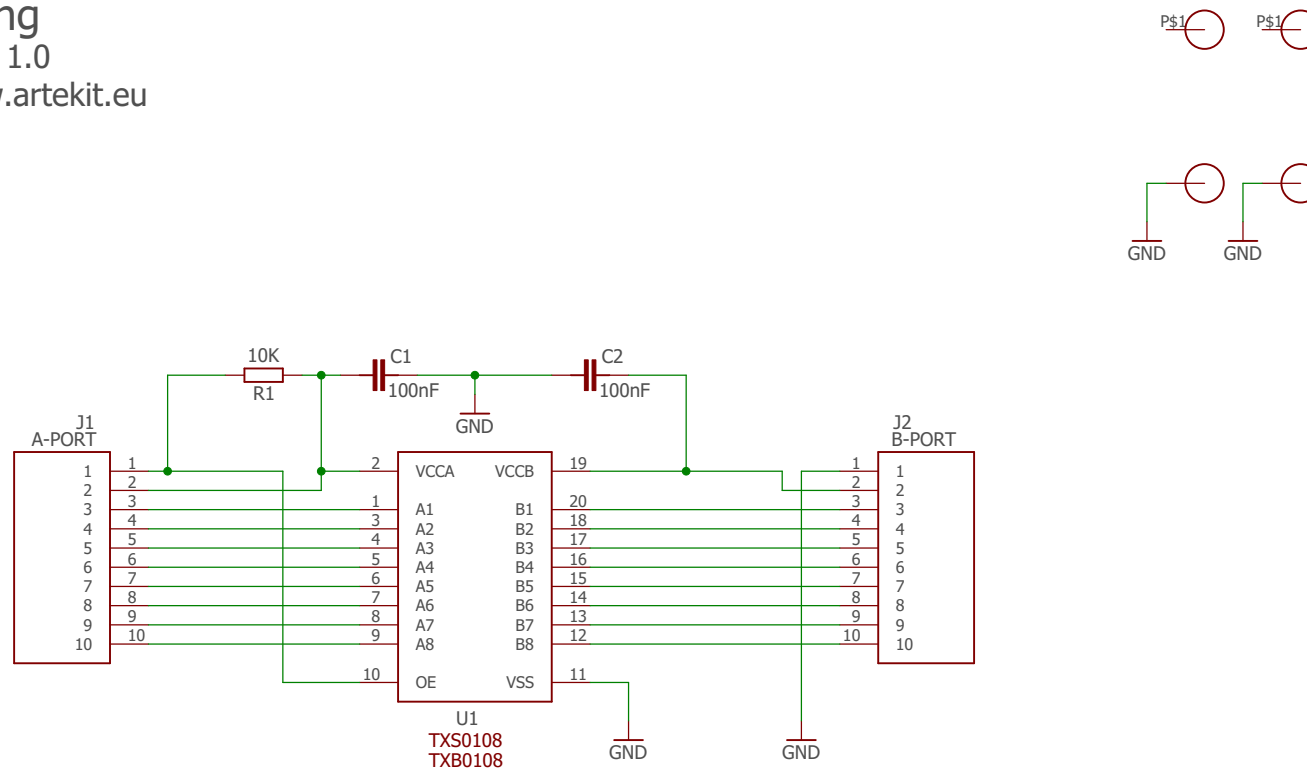


TXS0108/TXB0108 - 8-Bit Bidirectional Voltage-Level Translator with Auto-Direction Sensing

SCHEMATIC DIAGRAM REV 1.0

A For more information: www.artekit.eu



Released under the Creative Commons Attribution Share-Alike 3.0 License
<http://creativecommons.org/licenses/by-sa/3.0>



Design by	Ruben H. Meleca	ARTEKIT
Revision by	Ivan Meleca	AK-TXS-TXB0108_V3
Design data	08/08/2022	Revision: 1.0
Release data	18/08/2022	Sheet: 1/1

This board was designed and produced in Italy