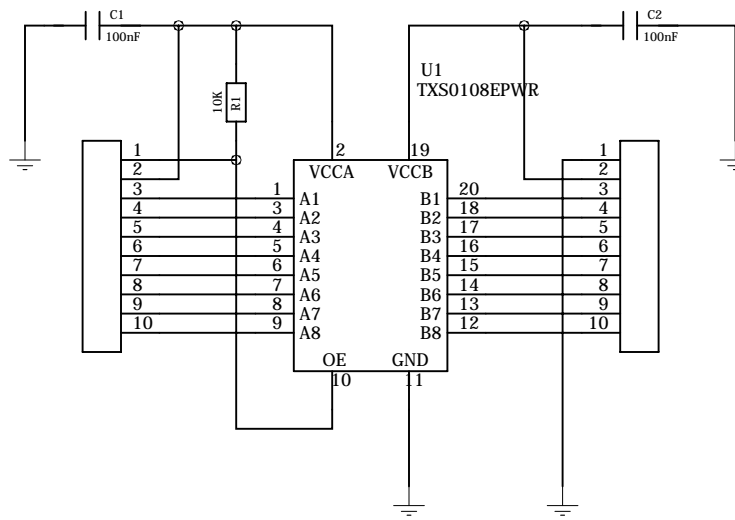


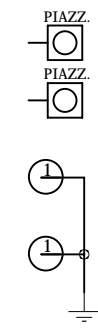
## AK-TXS0108 - Bidirectional Logical Level Converter V2

### SCHEMATIC DIAGRAM REVISION 2.0

#### BOARD



#### MECHANICAL




For more information: [www.artekit.eu](http://www.artekit.eu)

NOTE: This board was designed and produced in Italy

#### Design Disclaimer

Artekit Italy ("ARTEKIT") provides this design as a service to our customers. Artekit has made a good faith attempt to build for the specifications provided or needed by the customer. Artekit provides this product "as is" and without "recourse" and MAKES NO WARRANTY, EXPRESSED, IMPLIED OR OTHERWISE, INCLUDING ANY WARRANTY OF MERCHANTABILITY AND FITNESS FOR A PARTICULAR PURPOSE.

 <b>ARTEKIT</b> electronic artists		COMPANY:	ARTEKIT ITALY	
		TITLE:	AK-TXS0108 V2	
DRAWN: RHM	DATED: 28/09/2015	SIZE: <b>B</b>	Bidirectional Logical Level Converter	
CHECKED: IBM				
RELEASED: RHM/IBM	DATED: 28/09/2015	SCALE: 1/1	SHEET: 1 OF 1	