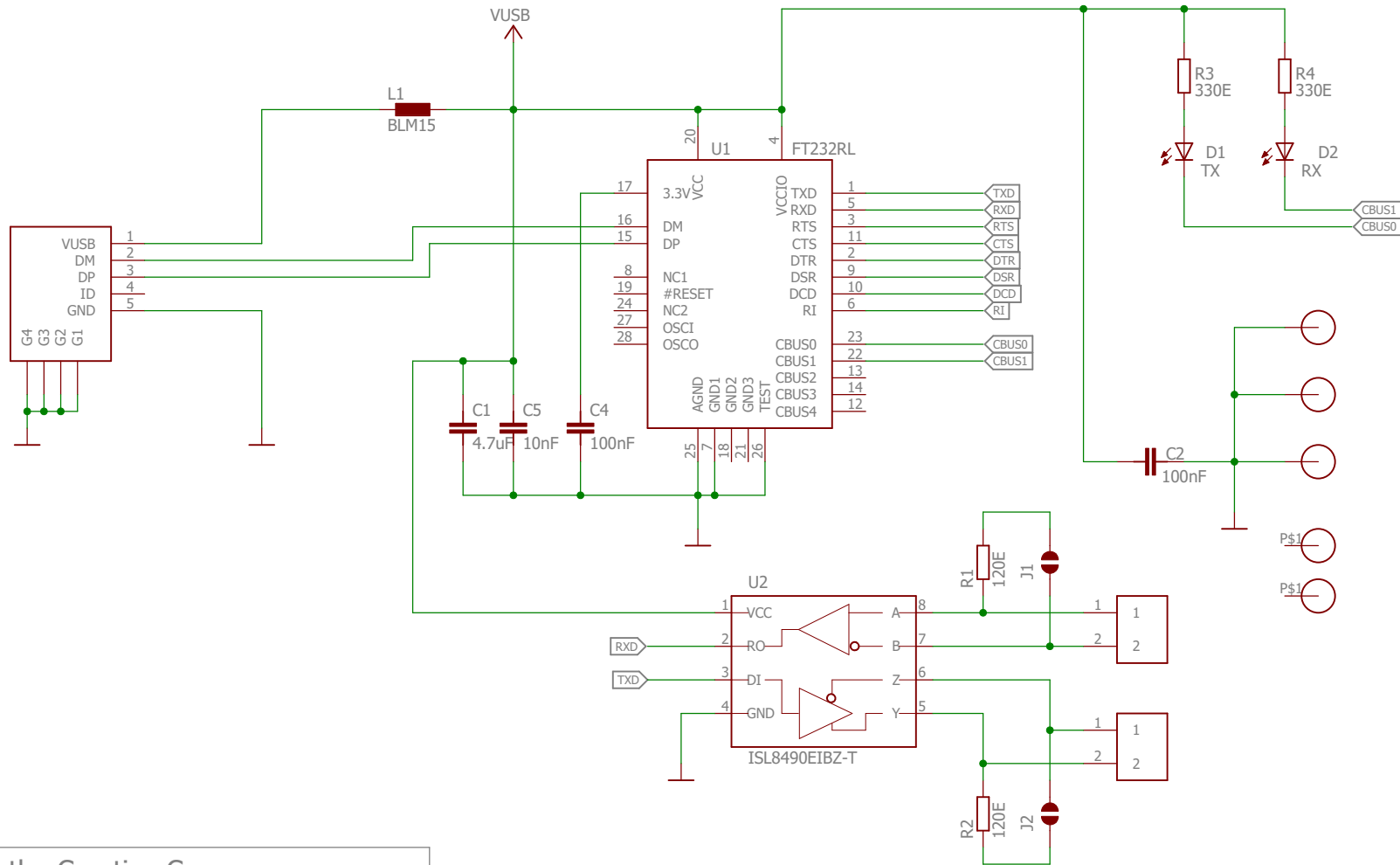


AK-USB-RS485-FD -USB to RS485 Bridge

SCHEMATIC DIAGRAM REV 1.0

For more information: www.artekit.eu



Released under the Creative Commons Attribution Share-Alike 3.0 License
<http://creativecommons.org/licenses/by-sa/3.0>

This board was designed and produced in Italy



| | | |
|--------------|-----------------|--------------------|
| Design by | Ruben H. Meleca | ARTEKIT |
| Revision by | Ivan Meleca | AK-USB-485-FD_V1.0 |
| Design data | 08/01/2018 | Revision: |
| Release data | 09/27/2018 | Sheet: 1/1 |