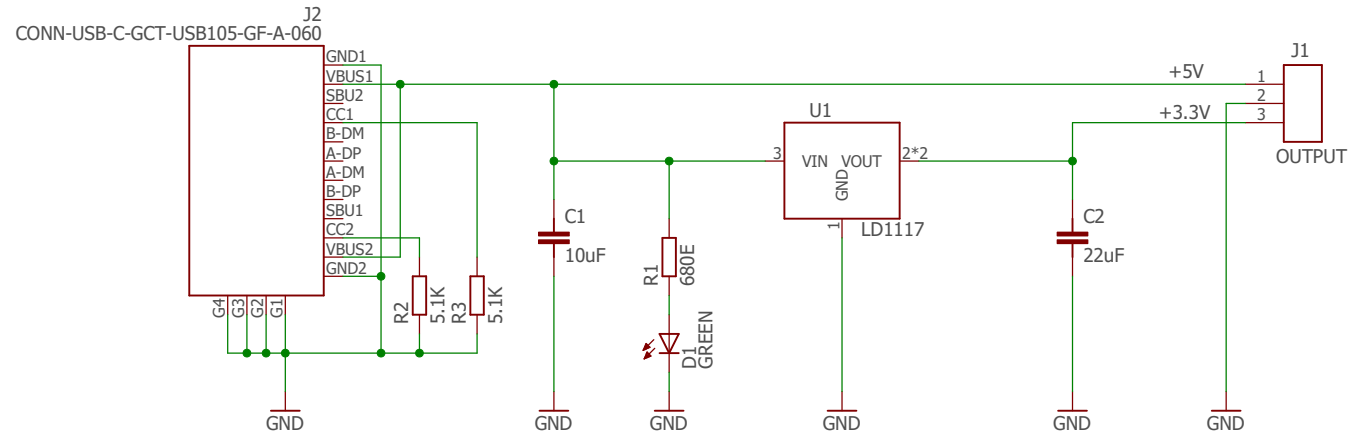


USB to 5V & 3.3V 800mA Power Supply

SCHEMATIC DIAGRAM REV 1.0
For more information: www.artekit.eu

Fiducial Mark



Released under the Creative Commons Attribution Share-Alike 3.0 License
<http://creativecommons.org/licenses/by-sa/3.0>

This board was designed and produced in Italy



Design by	Ruben H. Meleca	ARTEKIT
Revision by	Ivan Meleca	AK-USBSUPPLY-C_V2.0
Design data	14/02/2022	Revision: 2.0
Release data	17/02/2022	Sheet: 1/1