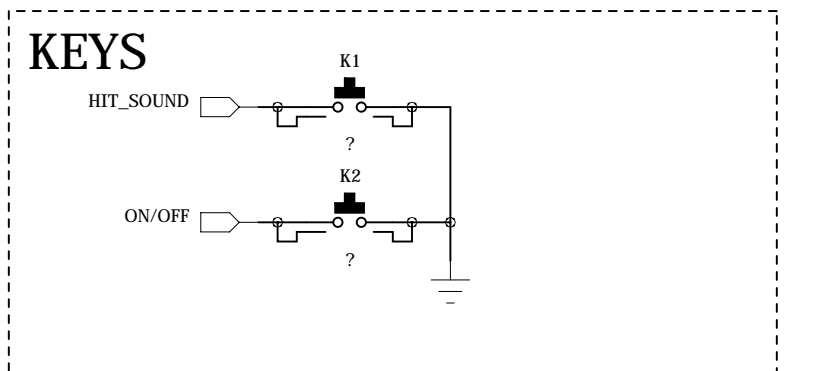
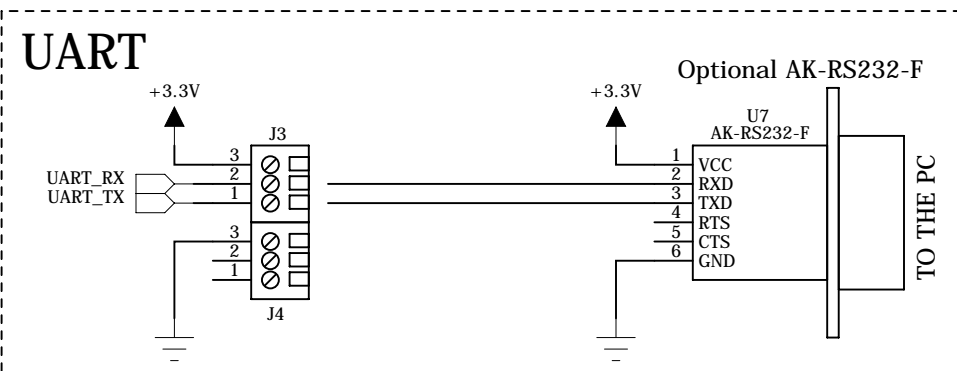
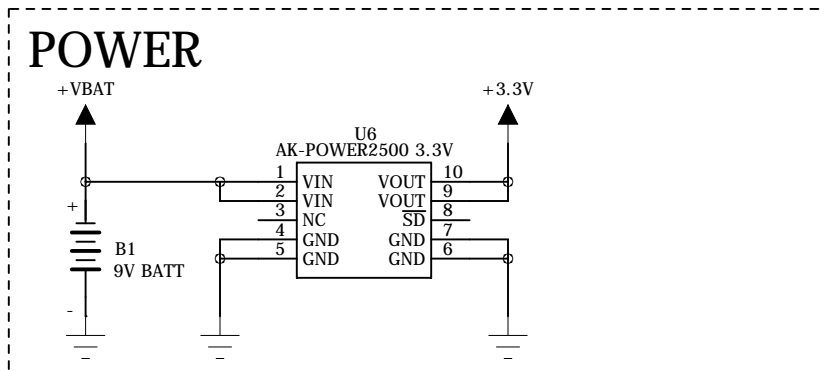
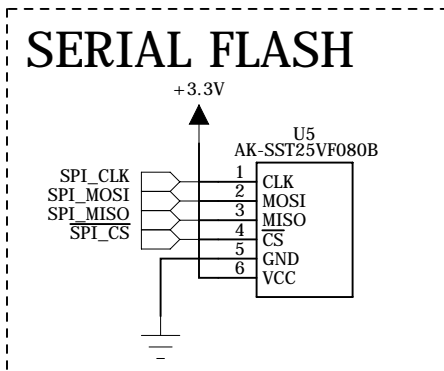
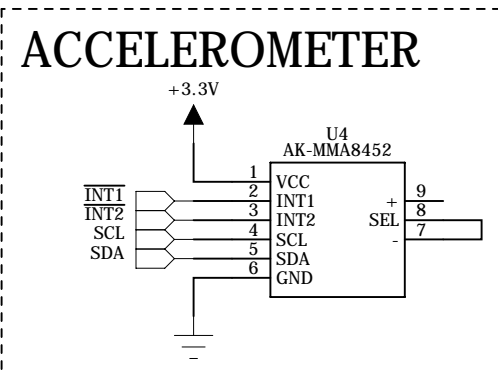
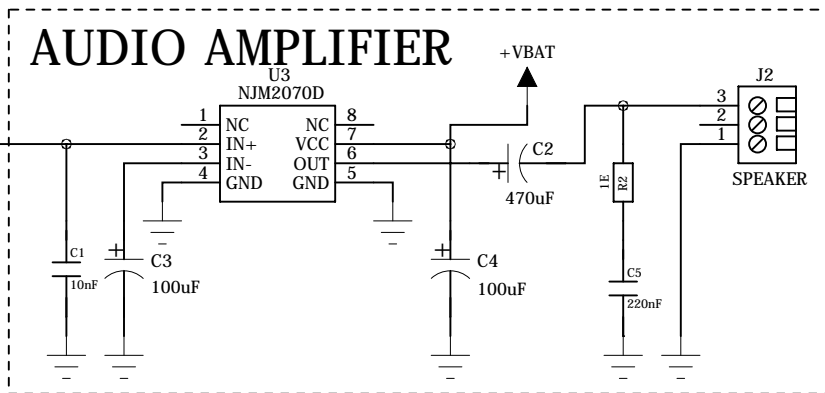
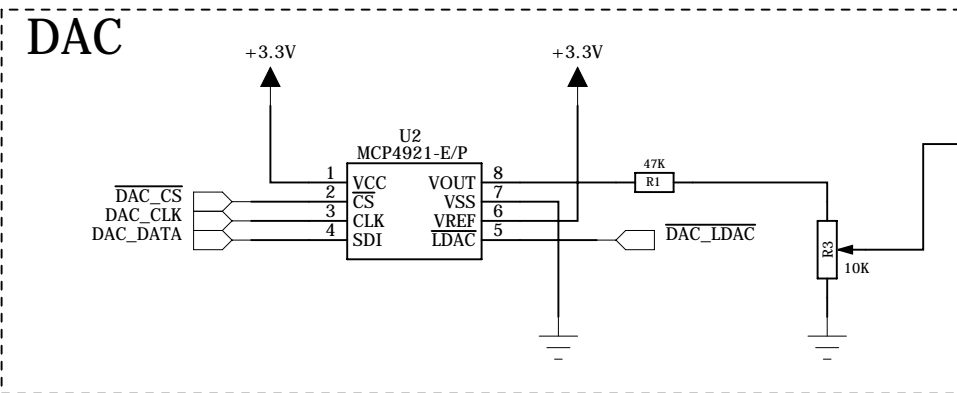
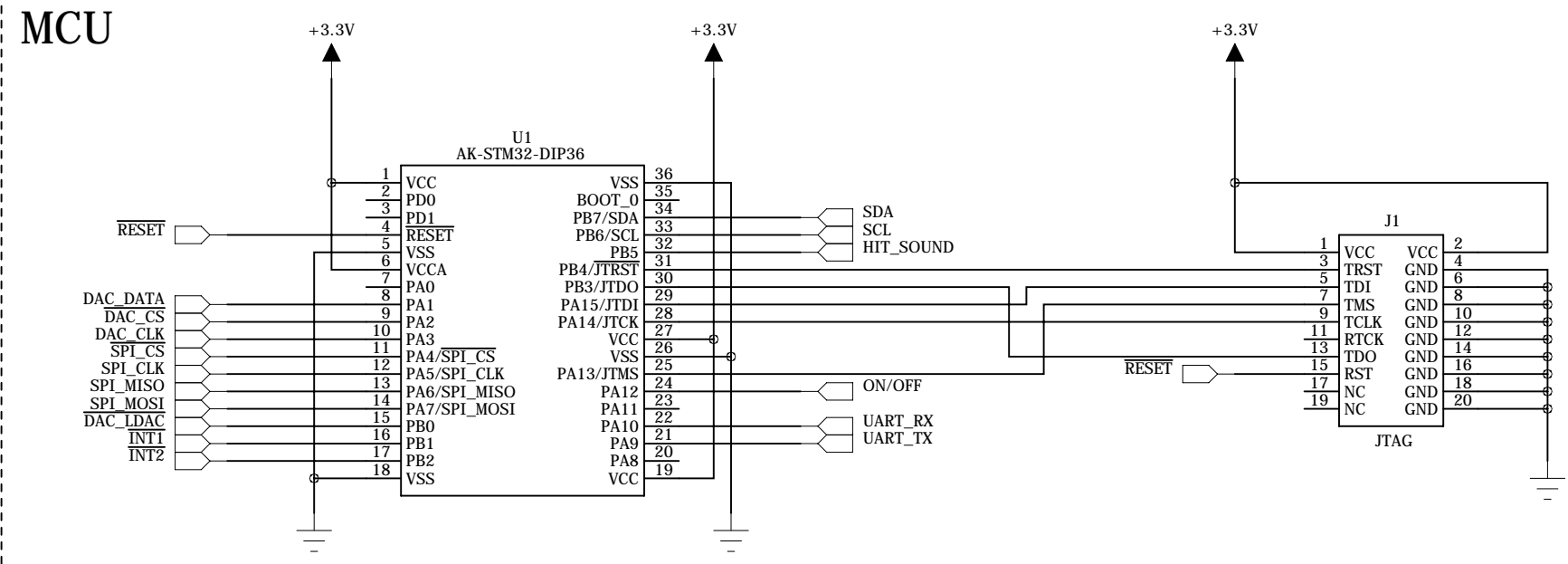


Design Disclaimer

Artekit Italy ("ARTEKIT") provides this design as a service to our customers. Artekit has made a good faith attempt to build for the specifications provided or needed by the customer. Artekit provides this design "as is" and without "recourse" and MAKES NO WARRANTY, EXPRESSED, IMPLIED OR OTHERWISE, INCLUDING ANY WARRANTY OF MERCHANTABILITY AND FITNESS FOR A PARTICULAR PURPOSE. THE ENTIRE RISK AS TO THE QUALITY AND PERFORMANCE OF THE DESIGN IS WITH YOU.



BILL OF MATERIALS

REFERENCE	PART NUMBER	DETAILS	MANUFACTURER	Mouser P/N
U1	AK-STM32-DIP36	ARM Cortex M3 MCU	Artekit/STM	
U2	MCP4921-E/P	Serial DAC	Microchip	579-MCP4921-E/P
U3	NJM2070D	Audio Amplifier	JRC	513-NJM2070D
U4	AK-MMA8452	3-Axis Accelerometer	Artekit/Freescale	
U5	AK-SST25VF080B	Serial Data Flash	Artekit/Microchip	
U6	AK-POWER2500-3.3V	DC/DC Converter	Artekit/Texas	
U7 (OPT)	AK-RS232-F	TTL to RS232 Conv.	Artekit/STM	
B1	ANY	9V Battery	ANY	
J1	ANY	Conn. IDC JTAG	ANY	
J2	ANY	Screw Terminal	ANY	
J3	ANY	Screw Terminal	ANY	
J4	ANY	Screw Terminal	ANY	
R1	ANY	47K Resistor	ANY	
R2	ANY	1 Ohm Resistor	ANY	
R3	ANY	10K Potentiometer	ANY	
C1	ANY	10nF 16V Capacitor	ANY	
C2	ANY	470uF 16V Capacitor	ANY	
C3	ANY	100uF 16V Capacitor	ANY	
C4	ANY	100uF 16V Capacitor	ANY	
K1	ANY	Key N/O	ANY	
K2	ANY	Key N/O	ANY	

AK ARTEKIT
electronic artists

Last mod. 15/09/2013		Sheet name:	
Product code:	Circuit:	Sheet: 1 of 1	Scale: 1/1
Designer: RHM	Creation date: Aug-29-2013	Control:	IBM

This design does not constitute a reference design.