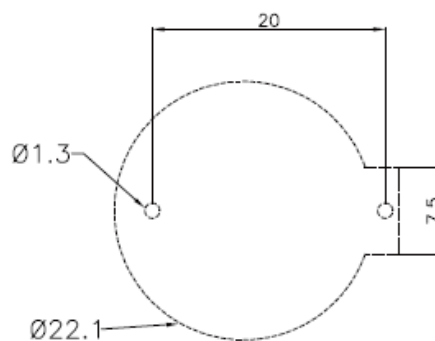
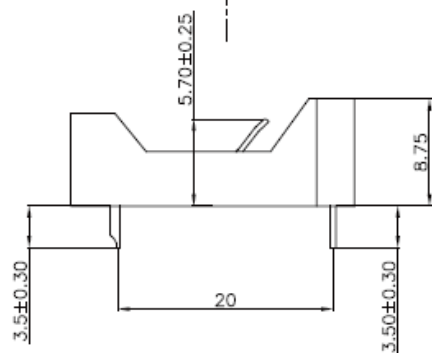
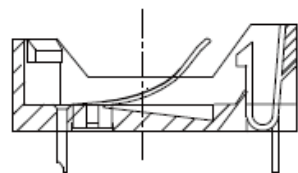


HOUSING: NYLON 46 UL 94V-0
 CONTACT: PHOSPHOR BRONZE
 FINISH: TIN PLATED OVER NICKEL



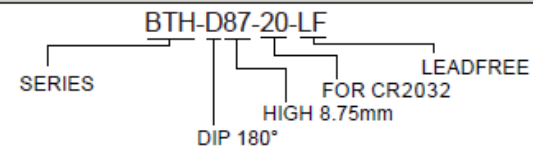
PCB HOLE LAYOUT



SECTION A-A



ORDER INFORMATION



DESCRIPTION: