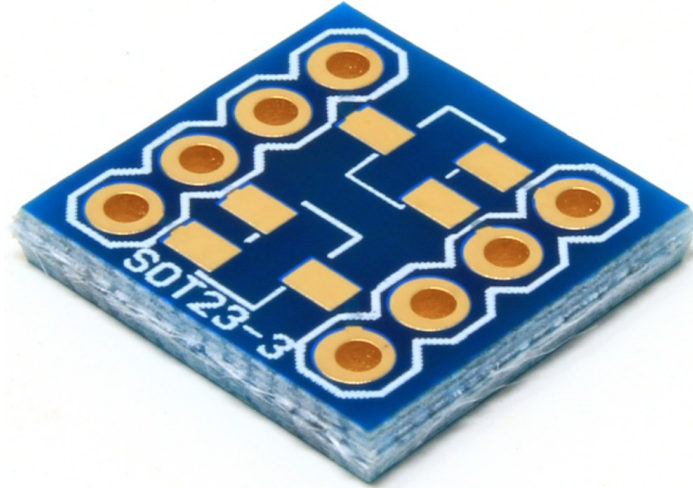


DA-SOT23-3-X2

SOT23-3 TO DIP ADAPTER



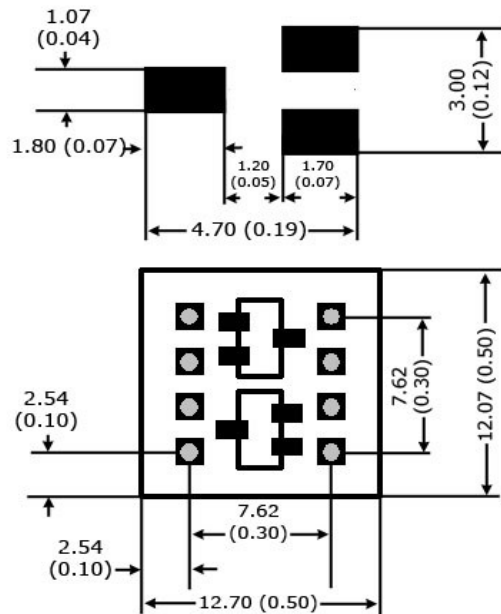
This adapter breaks out the pins of two SOT23-3 components into a board with 0.1" (2.54mm) spaced pins.

This is a high quality PCB, with all the copper pads and contacts plated with Electroless Nickel Immersion Gold (ENIG) process, offering an excellent surface planarity and oxidation resistance.

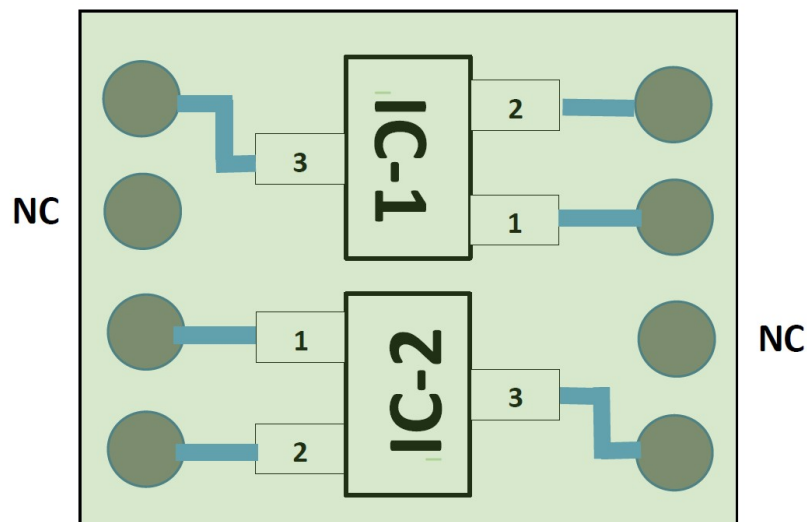
| Specifications | |
|-----------------------|-----------------|
| Supported packages | SOT23-3 |
| Package body size | N/A |
| Component pin pitch | N/A |
| Board pin pitch | 2.54mm (0.1") |
| Temperature rating | -25°C to +125°C |
| Material | FR4 |
| RoHS compliant | Yes |

Board and land pattern dimensions

All dimensions are in millimeters (inches)
SOT23-3 x 2



Connections diagram (top view)



NC = No connection