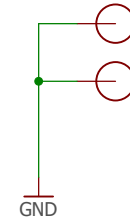


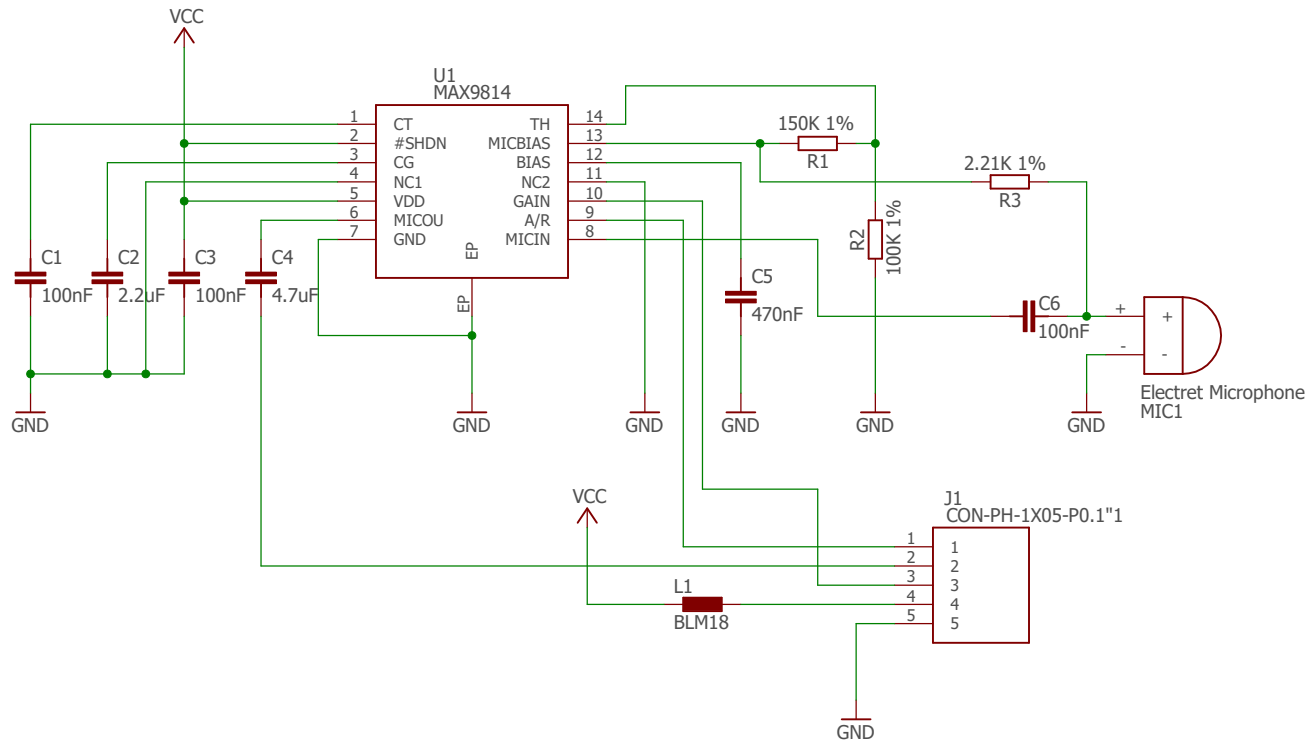
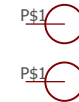
# AK-MAX9814 High Gain Microphone Amplifier With AGC

SCHEMATIC DIAGRAM REV 1.0  
 For more information: [www.artekit.eu](http://www.artekit.eu)

Mounting holes



Fiducial Mark



Released under the Creative Commons Attribution Share-Alike 3.0 License  
<http://creativecommons.org/licenses/by-sa/3.0>

This board was designed and produced in Italy



Design by	Ruben H. Meleca	<b>ARTEKIT</b>
Revision by	Ivan Meleca	AK-MAX9814_V1.0
Design data	05/03/2020	Revision: 1.0
Release data	05/15/2020	Sheet: 1/1