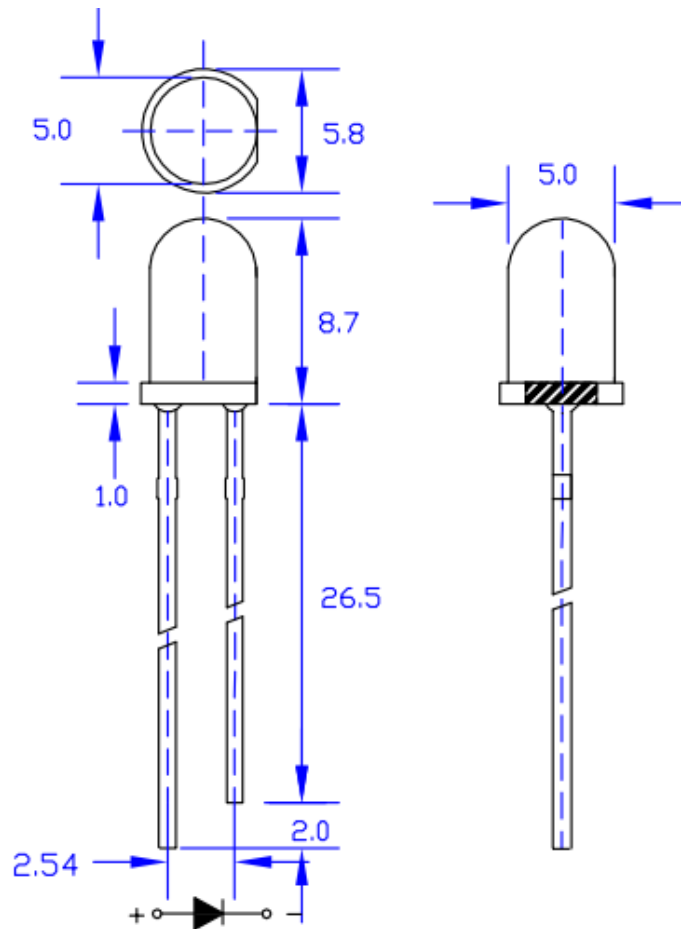


Technical Data Sheet
5.0mm Round Type LED Lamps

Package Dimensions (Unit): mm



Chip	
Material	GaP
Color	Red, Blue, Green, Yellow, Orange, Ultraviolet
Colloid	
Material	Epoxy resin
Color	Diffuse

Absolute Maximum Ratings (Ta=25°C)

Parameter	Symbol	Value	Unit
Max. Power Dissipation	P_M	80	mW
Max. Continuous Forward Current	I_{FM}	20	mA
Max. Reverse Voltage	V_{RM}	5	V
Peak Forward Current	I_{FP}	75	mA
Lead Soldering Temperature/Time	T_{SOL}	240/≤3S	°C/S
Operating Temperature Range	T_{OPR}	-25~+85	°C
Storage Temperature Range	T_{STR}	-30~+100	°C

Initial Electrio-Optical Characteristics

Parameter	Symbol	Min.	Typ.	Max.	Unit	Condition
Luminous Intensity	I_v	2500	/	2800	mcđ	$I_F=20\text{mA}$
Viewing Angle	$2 \text{ } \emptyset \text{ } 1/2$	/	35	/	deg	$I_F=20\text{mA}$
Peak Wave Length	λ_p	/	/	/	nm	$I_F=20\text{mA}$
Dominant Wave Length	λ_d	6000	6500	6600	K	$I_F=20\text{mA}$
Spectral Width at half height	$\Delta\lambda$	/	30	/	nm	$I_F=20\text{mA}$
Forward Voltage	V_F	3.0	3.2	3.4	V	$I_F=20\text{mA}$
Reverse Current	I_R	/	/	≤ 30	μA	$V_R=5\text{V}$