

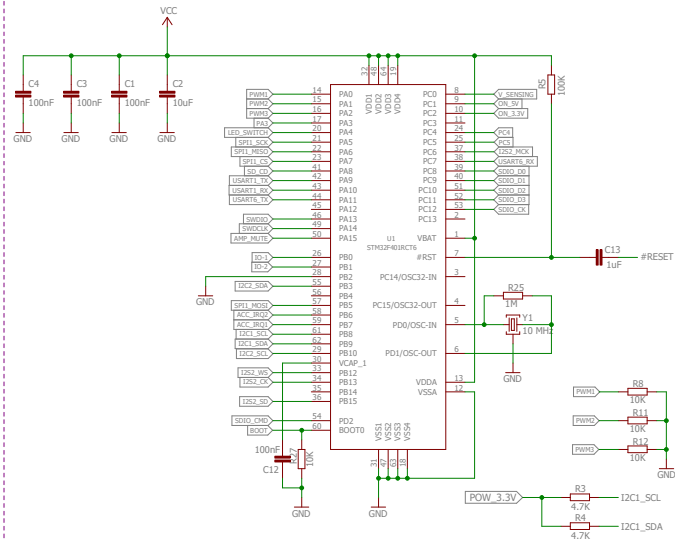


PropBoard
SCHEMATIC DIAGRAM REV 1.7
For more information: www.artekit.eu

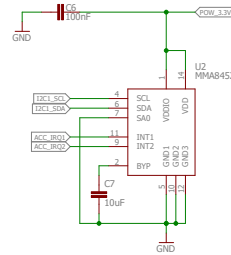
Released under the Creative Commons Attribution Share-Alike 3.0 License
<http://creativecommons.org/licenses/by-sa/3.0>

This board was designed and produced in Italy

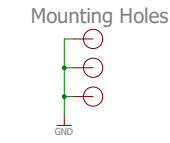
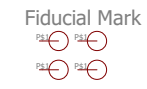
MCU ARM CORTEX M4



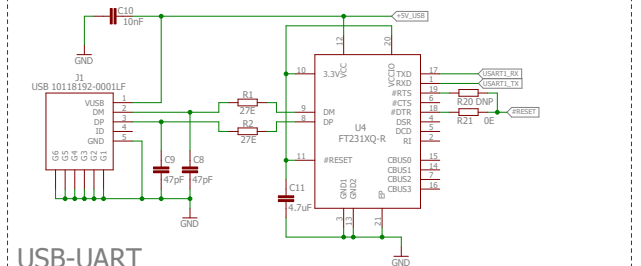
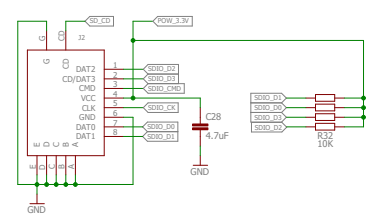
ACCELEROMETER



MECHANICAL

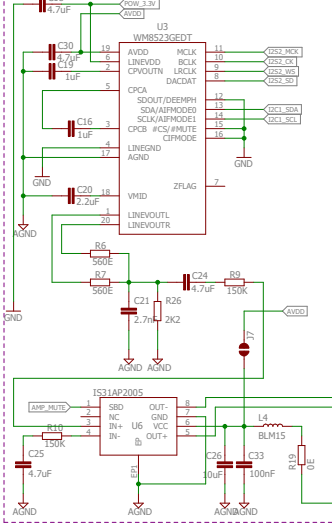


MICRO SD

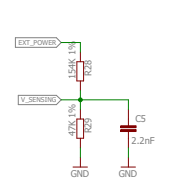


USB-UART

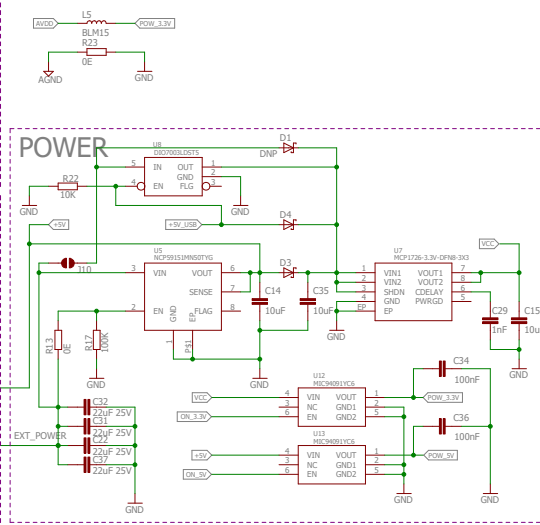
I2S AUDIO & AMPLIFIER



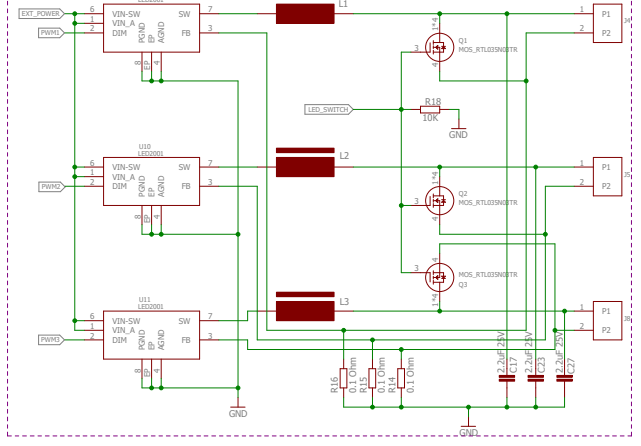
VOLTAGE SENSING



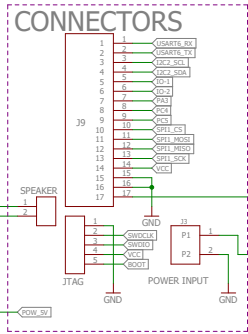
POWER



LED DRIVERS



CONNECTORS



Design by	Ruben H. Melea	ARTEKIT
Revision by	Ivan Melea	PropBoard_V1.7
Design data	AUG/08/2017	Revision: 1.7
Release date	SEP/05/2017	Sheet: 1/1